
PINKERTON ALUMNUS



ZACH SANFORD BRINGS THE STANLEY CUP TO PINKERTON

FALL 2019

BOARD SPOTLIGHT

KIMBERLY SMITH



Kimberly Smith

In her eighth year on Pinkerton Academy's Board of Trustees, Mrs. Kimberly Smith represents Auburn and currently serves as the board's secretary. Smith's boundless enthusiasm and passion for working with people likely set her apart as a candidate when she was asked to join.

"My mom always says boards are made up of doctors, lawyers, and doers—I'm not a

doctor or a lawyer, but I'm a doer," Smith said. "I have too much energy for my own good. I don't sit well, and I'm not afraid to put my neck out there and stand up for something that I believe in."

Outside of the board of trustees, Smith has worked for Enterprise for 23 years. In talent acquisition, Smith works



Madison and Alex Smith both graduated from Pinkerton. Courtesy photo.



Smith enjoys time with her family, especially outdoors. Courtesy photo.

to find the best people for the company which hires more recent college graduates than any other in the country and empowers them to become leaders through their management training program. Her job involves travelling to college campuses, working with student groups, and teaching classes.

"[Enterprise] is a highly respected company. They value honesty, integrity, taking care of your people—there are many similarities to Pinkerton," said Smith. "I have been so fortunate to be a part of places that align with my own values."

Smith hopes her experience working with people and staying true to these key values will help her effect positive change at Pinkerton as a member of the board. For her, it's all about building relationships that will help everyone do their best work.

"I deeply believe in education and opportunity," she said. "I want to do all I can do to make Pinkerton a great employer so the teachers have all they need to do what they do which is so important."

Smith says the combination of skills and personalities on the current board allows it to draw upon the strengths of each member in a collaborative effort to do what is best for Pinkerton.

"The board is comprised of people who, when they have the opportunity to make a difference, go for it. I'm thrilled to be a part of this amazing group of people."

Smith lives in Auburn with her husband of 24 years, Dave. As a family they love travelling and being outdoors. Her two children graduated from Pinkerton; **Madison, '16** and **Alex, '17** are both studying business at UNH and UMO respectively. 🍷

PINKERTON ALUMNUS

FALL 2019

DIRECTOR OF COMMUNICATIONS & ALUMNUS EDITOR:

'98 Julia Mitchell

ALUMNI RELATIONS COORDINATOR:

'03 Meagan Sojka

ALUMNI ASSOCIATION OFFICERS

'64 Ron Gagnon, President

'96 John Breda, Vice President

'85 Susan Foucher, Treasurer

'75 Lorrie Burdick Belinsky, Secretary

EXECUTIVE BOARD

'57 Nancy Gilbert Ek

'60 James Sullivan

'65 Dennis Burdick

'65 Gayle Emerson Gagnon

'78 Pam Martin

'79 Mark Mastromarino

'79 Patty Millsaps Blair

'82 Michael Holm

'87 Nancy Jane DeLuca Sweeney

'91 Michelle Lafond Stock

'94 Steve Pearson

'97 Jennifer Brown

'98 Lani Buskey

'04 Adam Mead

'14 Andy Stock

'18 Ariana LoFaro

PAST PRESIDENTS

'57 George Tssetilas

'72 Michael Pelletier

'59 Richard West

'66 Barbara Stevens Ellingwood

Send all class news to:

Meagan Sojka, 5 Pinkerton Street
Derry, NH 03038 Call 603-437-5200 x1101 or
email msojka@pinkertonacademy.org.

Send requests for address changes to:

Betsy Melanson, 5 Pinkerton Street, Derry, NH
03038. Call 603-437-5200 x5140 or email
emelanson@pinkertonacademy.org.

The *ALUMNUS* is published twice a year.



Seniors enjoyed the traditional corn roast despite a rainy forecast. Photo by R. Maynard.

FEATURES

3 ALUMNI SPOTLIGHTS

Meet Donna (Chartrain) Corley, Major Nicholas Cimler, Andy Seuss, Zach Sanford and Krysta Lewis

8 HALL OF FAME INDUCTEES FOR 2018

9 HALL OF FAME INDUCTEES FOR 2019

10 PINKERTON FAMILY HEIRLOOMS AT PINKERTON ACADEMY THE PINKERTON CRADLE—PART 1

by Mark A. Mastromarino, Class Of 1979

12 27TH ANNUAL GOLF TOURNAMENT A SUCCESS

Tournament raises \$17,500 toward PA Campaign for Excellence

14 CLASS NEWS

Alumni News ~ Weddings ~ Job Promotions

18 PINKERTONMEMORIES@PINKERTONACADEMY.ORG

*A trip down Memory Lane for Pinkerton alumni
by Peter Gaucher*

22 A LETTER FROM THE HEADMASTER

by Timothy Powers

23 SOCIOLOGY CLASSES ENCOURAGE CONVERSATION

by Kathryn Anderson '20

31 UPCOMING EVENTS

32 BOND BROTHERS INC., HOSTED THREE PINKERTON ACADEMY CTE CLASSES ON MAJOR CONSTRUCTION SITES IN BOSTON.

33 JAMES BALSER: LONG-TIME PINKERTON EMPLOYEE

Dedicated to Pinkerton Academy for the past 23 years

FRONT COVER

Stanley Cup Champion and Pinkerton Academy '13 graduate Zach Sanford brought the Stanley Cup back to Pinkerton. Friends and fellow Pinkerton alumni Matt Marchman '13, Brad Kenney '12, Ryan Williams '13, and Harry Duval '13 joined him on his day with the Cup.

Photography: Unless otherwise noted, all photographs are taken by Julia Mitchell, Jack Gill and Mark Lawrence Photography. Older photographs are courtesy of the Pinkerton Academy Alumni Association archives.

Design: Joyce Design Solutions, Exeter, NH

Printing: Cummings Printing, Hooksett, NH

Former Headmaster Ek's Portrait

On Wednesday, September 22nd Dr. Timothy Powers along with members of the Board of Trustees and faculty joined Dr. William Nevius, president of the Board of Trustees, to honor former headmaster Brad Ek with the hanging of his official portrait. Mr. Ek's wife, son, and daughter-in-law accompanied him for the unveiling of two portraits, one in the main office and the other in the entrance to the Bradford V. Ek Science building.

Ek, a graduate of the Pinkerton Academy class of 1958, was headmaster for 29 years. He began his career at Pinkerton as a chemistry teacher and then served as assistant principal under Ivah Hackler. His wife Nancy graduated in 1957, and their two children, Brad and Missy, are Pinkerton graduates as well.



Members of the Board of Trustees join Mr. Ek in front of the portrait in the main office.



Headmaster Timothy Powers spoke about Ek's years at Pinkerton Academy.



In the entrance of the Bradford V. Ek Science building a portrait of Mr. Ek welcomes visitors. The Ek family gathered for a picture at the unveiling ceremony.

CRAFT FAIR A BIG SUCCESS!

The 27th annual craft fair took place in the Hackler Gymnasium on Saturday, October 19. Crafts included woodworking, knitting/crocheting/sewing, jewelry, photographs, food, home decor, fall and Christmas decor, paper crafts, pet toys and assorted items. Student council members assisted the crafters, and the VEX robotics club provided and worked the concessions.



ALUMNI SPOTLIGHT

DONNA (CHARTRAIN) CORLEY CLASS OF 1991

Contributed by Olivia Sanford

An Influential Leader

Pinkerton Academy graduate Donna Corley is one of the most influential women at Freddie Mac and within the housing and mortgage industry. She was recently named interim head of the Freddie Mac Single-Family business. For the past five years, she was the Single-Family chief risk officer, focused on bringing a fresh perspective to managing risk while leading a team of approximately 500 employees responsible for analyzing and managing the risks that impact Freddie Mac's Single-Family business of financing more than 1.5 million homes annually. On a day-to-day basis, Donna established credit policy that fosters access to credit in responsible ways, managed the credit performance for Single-Family mortgages, oversaw counterparty credit, fraud risk and vendor risk, and much more. She is also motivated by how she can give back and is a big supporter of mentoring and coaching other women, to help them rise to leadership positions and advance in their careers.

Donna's Background

A 24-year Freddie Mac veteran, Donna began her Freddie Mac career as a research analyst and, subsequently, held various portfolio manager positions within the investment and capital markets division for ten years. Prior to her current role, she led Freddie Mac's credit pricing, risk transfer and securitization team. She designed pricing strategies for Single-Family mortgages so that prices accurately reflected the risk profile of mortgages received, oversaw the development of innovative structures to sell credit risk, and managed issuance, sale, and distribution of Freddie Mac's single- and multi-class securities. She holds a Bachelor of Science in business administration from American University as well as a Chartered Financial Analyst (CFA) designation.

What the Future Holds

Ask anyone who knows Donna and they will tell you that she's never satisfied with taking a back seat or putting on the brakes, especially when she sees such great opportunities in front of her. In the past year, she's successfully leveraged her division's unparalleled and growing expertise to drive sustainable growth. She proactively identifies and manages risk and seeks new opportunities for Freddie Mac clients to support the organization's goals.



Donna (Chartrain) Corley '91

Awards

Donna has been honored for her skills, determination, focus and leadership several times in recent years, including:

- *HousingWire's Women of Influence 2017 and 2019.*
- *Euromoney's Global Structured Deal of the Year award and The Banker's Deal of the Year for the Americas in 2014.* Donna and her team were recognized for their first structured agency credit risk (STACR) transaction.
- *Working Mother* magazine's Working Mother of the Year in 2012.

Congratulations to Donna on her remarkable career and accomplishments! 🏠

ALUMNI SPOTLIGHT

MAJOR NICHOLAS CIMLER CLASS OF 2004

Call to Service

After graduating from Pinkerton Academy in 2004, Nicholas Cimler attended Norwich University, the country's oldest private military college. A Logistics Officer by trade, Cimler was commissioned in 2008 upon graduation from Norwich. Following officer training he was first stationed at FT Bragg, North Carolina. He has spent time as a paratrooper in the 82nd Airborne Division, Special Operations, and serves now as a member of the 4th Infantry Division at Fort Carson, Colorado.

Career Growth

Following various duty assignments, including a stint in Afghanistan, Cimler earned Master's credit in Cyber Strategic Studies from the Institute for Defense and Business at Kelley School of Business in Bloomington, Illinois and is a fellow in their Cyber program. He was then selected to attend the Naval War College. Selection to the school is tied to promotion, and Cimler was selected to the rank of major a year ahead of his cohort year group. Only 4.1 percent of the almost 2,000 officers considered were promoted ahead of their peers that year. Following selection to the Naval War College, Cimler was then nominated and selected by the senior 4-star logistics General Officer in the Army to become 1 of 11 Division Transportation Officers, a 1-year assignment in Fort Carson, CO with the 4th Infantry Division. He earned his Master's of Arts Degree in Defense and Strategic Studies from the U.S. Naval War College and was also selected for the prestigious Halsey Bravo Advanced Research Program.

Planes, Trains, and Automobiles – Worldwide

Currently charged with the planning and synchronization of operational and strategic assets (planes, trains, and automobiles) Cimler must deploy and redeploy all units at FT Carson, CO. The assignment requires him to coordinate the movement of anywhere from 4,500 personnel, and 2,000 pieces of equipment, supporting operations globally. The proud father of two boys, Cimler and his wife Bethany are expecting a daughter in March.

Medals, Awards, and Acknowledgments

- Bronze Star
- Department of Defense Meritorious Service Medal
- Meritorious Service Medal
- Army Commendation Medal
- Joint Service Achievement Medal
- Army Achievement Medal (2)
- NATO Medal (2)
- Afghan Campaign Medal (2)
- Combat Action Service Badge
- Airborne Wings
- Air Assault Wings
- Parachute Rigger Wings
- German Jump Wings



Major Nicholas Cimler and his family at son Colt's kindergarten graduation. Courtesy photo.



Major Cimler and classmate Jeff Brill at graduation from the U.S. Naval War College. Courtesy photo.

ALUMNI SPOTLIGHT

ANDY SEUSS CLASS OF 2005

Early Focus

Pinkerton Academy graduate Andy Seuss began his career at age 10 racing go karts at the Sugar Hill Speedway in Weare, NH. When he was 16 he was racing at local tracks in Lee and Epping, but it wasn't long before he was travelling through New England, the east coast, and eventually the country pursuing his dream.

Many people told him it would never happen, but Seuss was able to ignore the naysayers and keep his focus.

"There were a million people who told me it wouldn't happen and to play it safe," he said. "I just kept my head down and kept working."

All that hard work paid off. Today Seuss drives competitively and runs a race team he started in his own garage, Our Motorsports. At the NASCAR Hall of Fame the team just recently announced that they will be competing at the Xfinity level, the second highest level of stock car driving.

"I'm very lucky. I have a huge support system. My parents are huge supporters. They're the people who tell you can grow up to be anything you want to be and believe it."

NASCAR Monster Energy Cup Series Debut

This past July Seuss returned home to New England to make his NASCAR Monster Energy Cup Series Debut in Loudon. A NASCAR Modified Driver, Seuss drove the number 51 car for Rick Ware Racing.

"To be able to break into NASCAR and get to the cup series, the top level, was a dream come true this summer," said Seuss.

To be back in New England for this important moment in his career was particularly poignant.

Support Systems

While many people thought Seuss would never make it, there were some key people who believed in him along the way. Their

encouragement helped him through the ups and downs of his career.

"I'm very lucky. I have a huge support system. My parents are huge supporters. They're the people who tell you can grow up to be anything you want to be and believe it. I think that's something missing in today's world," he said.

And one particular NASCAR fan helped him as he looked to balance his fledgling racing career with the demands of high school.

"I was really close with Ms. Anderson when she was headmaster. She was a big race fan, and she took an interest in me and made sure I was doing my school work when I was away racing, but also that Pinkerton worked with me," Seuss said. "She knew it wasn't just a hobby for me and that it was something I really wanted to pursue. While a lot of people thought I was wasting my time, she was one who knew that with the right support I could go further, and she made sure I had all that support."

Seuss lives in Salisbury, NC, with his wife, three-year-old son and one-year-old daughter. Follow his team at <https://www.facebook.com/OurMotorsports/>.



Seuss and his crew prepare to race. Photo by J. Staton

ALUMNI SPOTLIGHT

ZACH SANFORD, CLASS OF 2013

Championship Efforts

When Pinkerton Academy star hockey player Zach Sanford won a state title for the school in 2012, he never would have imagined he would be bringing the Stanley Cup to the school seven years later.

A member of the 2019 Stanley Cup Champion St. Louis Blues, on August 5, 2019, he did just that. Accompanied by an entourage of his friends, several Pinkerton graduates themselves, Sanford brought Lord Stanley's Cup to the Marion L. Pounder Cafeteria for a public viewing and meet and greet.

"It's really great to come back to Pinkerton," Sanford said. "A lot of my best friends and a lot of my best memories were made here. I'm glad I was able to come back and share it with everyone here."

An Emotional Win

Sanford's Stanley Cup win came with mixed emotions for many reasons. After growing up a Bruins fan, Sanford won the Cup in Boston against the team he had spent most of his life cheering for.

Gabby Guerard, a 2016 Pinkerton Academy graduate, covered the Stanley Cup event at Pinkerton for WEEI and asked Sanford how the moment felt.

"I mean like growing up, you always picture yourself doing it on the Bruins, and then to do it against the Bruins, I guess it was the second-best option," Sanford said. "But yeah, it was pretty crazy getting to do it at home kind of with my whole family and all my friends there, and it was just an awesome feeling."



▲ Sanford signs his Pinkerton jersey from the 2012 championship season.

▶ Gabby Guerard, PA Class of 2016, interviews Sanford for WEEI.



One member of his family who Sanford would have loved to be there was his dad who passed away unexpectedly during training camp. His father had also been his coach growing up, but he never got to see Zach play in an NHL game.

"I know that my dad was watching," Sanford said. "All the hours, all the years that he and my mom spent driving me to practices—making me the person and player I am. I owe it all to them."

Important Contributions

Sanford stepped into the series in game 3 after Blues' center Oskar Sundqvist received a one-game suspension. Sanford scored an assist that game and earned a spot on the roster for the rest of the series. He scored another two assists and a game 7 goal in the Blues' championship win. He has since signed a two-year contract to continue playing with St. Louis. 🏒



Players and coaches from the 2012 Championship PA Hockey Team

ALUMNI SPOTLIGHT

KRYSTA LEWIS, CLASS OF 2013

Purpose and Profit

Krysta Lewis is the CEO and founder of Aisling Organics, a revolutionary high-performance organic makeup brand. Within two years of launch, Lewis built one of the most successful e-commerce start-ups and grown an extensive following to earn her the recognition of one of Entrepreneur Magazine's Most Influential Entrepreneurs of 2018 and Young Entrepreneur of the year.

With a focus on both purpose and profit, Lewis was originally inspired to launch Aisling when she realized unregulated chemicals in cosmetics were causing chronic illness and there were no effective alternatives on the market. In short order, she led a team of dedicated, industry experts to develop and successfully launch Aisling Organics.

"For about 7 years, I faced daily migraines and nausea and it wasn't until deep investigation that I discovered the culprit was my cosmetics," said Lewis. "The products I had been using contained formaldehyde, heavy metals, flame retardants and more -- things you'd expect to find in an auto shop and most certainly not your beloved beauty products."

A Young Entrepreneur

Her young age makes Lewis stand out among fellow entrepreneurs at her level, but she credits starting out young as an important part of her success.

"It was great in the sense that I felt like I could achieve anything—being naive has its perks!" said Lewis. "Not truly knowing what was in front of me allowed me to start Aisling without fear. The other awesome thing about starting a business at a young age is that it's socially acceptable to struggle at that age and even live at home, so you can be much riskier than if you're supporting a family while embarking on a new venture."

Today, Krysta is dedicated to sharing her story and lessons on entrepreneurship, confident and effective communication, and persuasion to help audiences across the country live happy, healthy, and prosperous lives.

Keeping It Local

After graduating from Pinkerton Academy in 2013, Lewis went on to complete her B.A. in Communications from Southern New Hampshire University. She has recently moved the company's offices to Salem, NH.



Krysta Lewis

Awards

Lewis and Aisling Organics have been recognized for excellence with many awards:

- Stay Work Play's *2018 Young Entrepreneur of the Year*
- *Entrepreneur Magazine*—One of the "Most Influential Entrepreneurs of 2018"
- SCORE's *\$10,000 Business Growth Competition* - 1st place winner
- *InTouch Magazine* listed Aisling Organics' Liquid Lipstick as a "Best of Fall"
- Finalist in the *TechOut* competition (Manchester)
- Top 5 out of 100 companies for *HubWeek's Pitch Competition* (Boston)

Follow Aisling Organics: @aislingorganics 

HALL OF FAME INDUCTEES 2018

2018 INDUCTEES

James Delaney '88 is devoted to the sport of lacrosse and has been coaching young men for 24 years at many different levels. In 2006 he was the assistant coach in the World Games. He was selected to be the New England Interscholastic Lacrosse Association and East/West All Star Game Head Coach.



James Delaney '88

Beth Hudson was a hardworking and dedicated faculty member of thirty years. She was an active member of the larger school community. Beth established and built the American Sign Language Program at Pinkerton. She is an American Sign Language translator in the community.



Beth Hudson

Nancy Fletcher was a coach and adviser. She was a classroom educator for four decades. Nancy was a Shepard Award winner. She was a class advisor and Chairman of the Human Resource Committee and Professional Development Leader. Nancy was instrumental in bringing the Junior Prom back to campus as well as bringing boys varsity hockey to Pinkerton.



Nancy Fletcher

Anthony Zdunko '79 was an excellent student-athlete while in high school. He was the captain of the very first golf team at Pinkerton. Anthony was a PGA professional in 1991 and is currently a 25 year member of the NHPGA. He was the head golf professional at numerous courses. Anthony presented the Horton Smith Award in 2005 and the Bull Strausbaugh Award in 2007. He was a member of the President's Council for 3 years.



Anthony Zdunko '79

Col. Jennifer Grant '91 is a commander, 50th Space Wing, Air Force Space Command, Schriever Air Force Base in Colorado. She has won major awards that have included Legion of Merit, Defense Meritorious Service Medal, Air Force Outstanding Unit Award, Air Force Training Ribbon, Global War on Terrorism Service Medal and many others.



Col. Jennifer Grant '91

Congratulations!

**Do you know someone who
should be in the
Pinkerton Academy Hall of Fame?
Complete the nomination form by
March 1st.
<http://bit.ly/PAHallofFame>.**

HALL OF FAME INDUCTEES 2019



Dr. Christopher Harper, Ronald Gagnon '64, Katharine O'Brien '00 and Michael Fox

Photo by M. Sojka

2019 INDUCTEES

Michael Fox Former Treasurer of the Board of Trustees. Mike is a trusted advisor, mentor and friend. He is a community banker and member of the Hunt Community Board of Trustees in Nashua and a member of the Greater Nashua Advisory Council.

Ronald Gagnon '64 Member of the Alumni Association Board since 2010. Ron was a 1st Class Petty Officer in the Navy. He was also the Fire Chief at the Derry Fire Department and is dedicated to his community.

Dr. Christopher Harper Retired science teacher, Science Department Head, and Dean of Academic Affairs. Chris is a recipient of the Shepard Award and the Trustees' Meritorious Service award.

Katharine O'Brien '00 Valedictorian, class officer, had the lead in plays, and was on the tennis team. Katie is the winner of 5 independent film awards, has directed the NBC television show *AP Bio* and has 31 Hollywood television or movie roles. She is also the author of *Straight A Conspiracy*. She has returned to her alma mater to speak to students about their futures.

PINKERTON FAMILY HEIRLOOMS AT PINKERTON ACADEMY

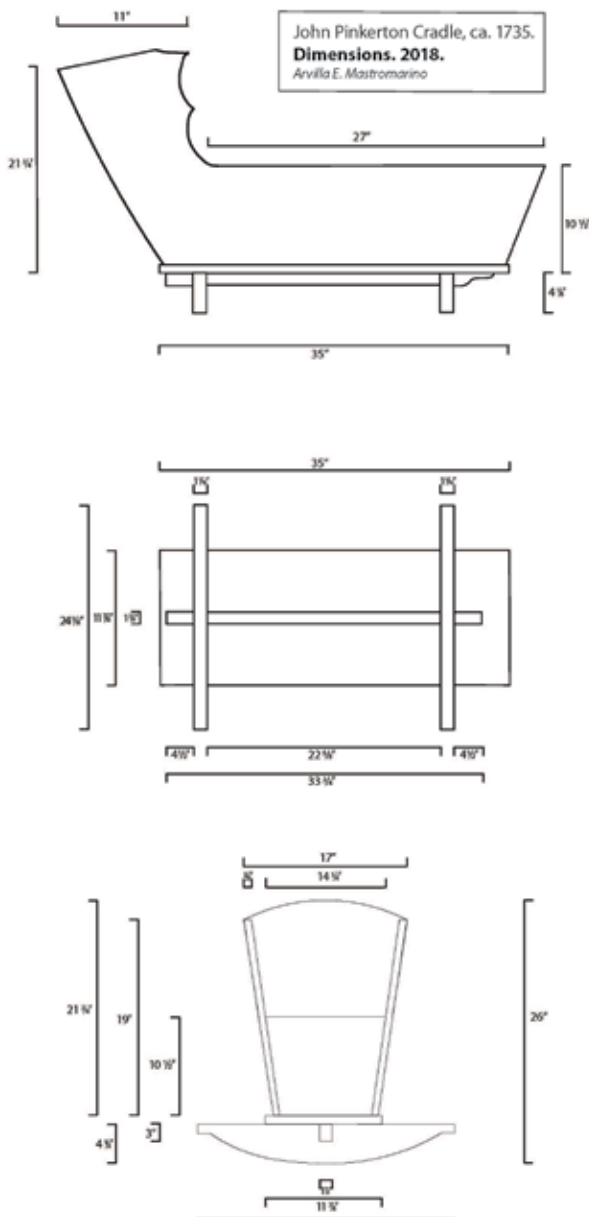
THE PINKERTON CRADLE—PART 1

BY MARK A. MASTROMARINO, CLASS OF 1979

In 2019, Derry is celebrating the three-hundredth anniversary of the founding of Nutfield, the name of the land grant given to the first Europeans who arrived here in 1719, almost a century before the birth of Pinkerton Academy. But the name “Pinkerton” was soon heard around the new settlement. In 1724 John Pinkerton (ca. 1700–1780) emigrated from Antrim, tracing the path of the sixteen original Scots Irish families who followed their Presbyterian minister, the Reverend James MacGregor, from Ulster in northern Ireland to Old Londonderry in New Hampshire. (The town of Londonderry, incorporated in

1722, comprised current Londonderry, Derry, Windham, and parts of Pelham and Manchester). Two of John Pinkerton’s sons were Major John Pinkerton (1735–1816) and Elder James Pinkerton (1747–1829), both of whom donated money to establish Pinkerton Academy in 1814.

The Alumni Association cares for two antiques that symbolize the beginning and end of the lives of these original cofounders (as well as several other later pieces belonging to Pinkerton descendants). In the early twenty-first century, the Academy acquired the first resting place of John, a cradle in which he was said to have been rocked to sleep, as well as one of the final resting pieces of James, a rocking chair in which he probably often dozed off in his dotage. This article focuses on the Pinkerton Cradle, which might actually be the oldest surviving relic from Derry’s first decade of existence.



The Pinkerton Cradle is an understatedly elegant piece of country furniture that shows signs of wear, hard usage, and repair, conversant with an item probably used by at least nine successive Pinkerton infants close to three hundred years ago. Its style, construction, and materials led historian Philip Zea, an expert on New Hampshire furniture and a trustee of the New Hampshire Historical Society and president of Historic Deerfield, Inc., to opine that “The cradle arguably could date to the second quarter of the 18th century” and appears “to be from the Merrimack Valley.” It was likely made by an unknown country joiner in or around Old Londonderry, perhaps whoever it was who taught Major John Dunlap (1746–1792) of neighboring Chester, one of New Hampshire’s most famous early craftsmen. (His father, Archibald Dunlap [1713–1754], had emigrated from northern Ireland to Chester sometime before 1741, but he was a farmer and linen weaver, and no evidence exists of his woodworking skills.) Two intriguing

Caption needed for the photograph on the left.

items appear in John Dunlap's surviving papers, perhaps originally derived from whomever he learned the trade: a recipe "To stain wood to Resemble Mahogany" and "Demeritions for Making a Cradle," which dimensions match up nicely to the Pinkerton Cradle.

The cradle is of simple construction. Each end of the box is attached to the side panels by a rabbet joint extending the height of the panels. The failure of the original hide glue adhesive on the foot-end joints, probably due to age (and perhaps also to repeated kicking by active children) necessitated further measures, apparently before the nineteenth century as evidenced by the use of hand-wrought nails that attached tin corner brackets for added support as well as several small square-headed finishing nails inserted through the side panels into the foot panel. The bevel-edged bottom panel with rounded corners was nailed from the bottom to the four front, back, and side panels with hand-wrought nails, some of which missed their target. There is one non-modern screw that also rises on the outside of the bottom edge of the left side panel. The cradle apparently was ill-served by some of the numerous repairs that were made to it. New rockers were inexpertly attached directly to the base of the box, which caused the bottom panel to split along the grain in three pieces. The numerous tack holes on the top of the cradle's side panels suggest there was once a cover. Their small size and large number suggest that this missing hood might have been made of leather or tin and not wood.

The box of the cradle is about a foot wide at its base and almost three feet long, with slightly angled 10 1/2-inch-tall sides that open to 14 1/4 inches at their top. The tall parts of its single-piece sides are 22 inches high. The box is constructed of pine or another soft wood stained on its outer surfaces with a dark finish brushed on to resemble grained mahogany. (A darker coat, very dark green, appears in chipped and scraped or scratched spots, and apparently was a primer or base coat for the piece's original finish.) The inner surfaces are unfinished and water (or urine?) stained. The faux graining is but one elegant feature of the cradle. The upper side panels are scalloped with a double curve, which is reflected in the simpler curves of the cradle's keel and the top of the back panel. The box rests on a base with a beveled edge, and the tops of the side panels have rounded edges, all design details belying the utilitarian nature of the cradle.

In addition to the absence of documentary evidence of the cradle's creator, unfortunately, no contemporary records definitely tie the Major John Pinkerton cradle to the man (or baby), nor can the provenance, or chain of possession, be traced back specifically to his parents, Mary Elizabeth Farmer Pinkerton (ca. 1710–1754) and her husband, John the Emigrant. As in many similar cases, we have to rely on family tradition as the primary source of evidence. Our particular case is strengthened, however, by the fact that the cradle and its claim were cared for for over a century by one of the preeminent associations dedicated to family history. The above-described physical evidence of the cradle

itself lends credence to the claim that it was an early inland southern New Hampshire artifact dating from the first half of the eighteenth century.

The national Daughters of the American Revolution (DAR), a female lineage-based-membership patriotic service organization, was founded in 1890 "to perpetuate the memory and spirit of the men and women who achieved American Independence." Derry's Molly Reid Chapter was the second one organized in New Hampshire, in 1894, and it is still active today. It early on assumed responsibility for the collection, care, and exhibition of early local history items to educate the public about their Revolutionary War forebears and inspire Derry residents with patriotic fervor. This it began to do shortly after its founding, although it did not have the funds to acquire a headquarters and museum/shrine until 1936. In that year, the chapter purchased the Charles Bartlett House (built in 1834 by George Washington Pinkerton) at 14 North Main Street, from the surviving children of Jennie S. Bartlett (1864–1935), a charter member of the Molly Reid Chapter who had inherited the family home from her brother Charles in 1925. The house was close to the Academy's Hildreth Hall, a boarding house previously occupying the site of the current (old) Frederick J. Shepard Sr. Memorial Fieldhouse, from 1886 to 1952, and The Oval, the school's first athletic field, which land was purchased before 1907 from Greenleaf K. Bartlett, a member of the Academy's Board of Trustees from 1901 to 1924.

There were numerous and close ties between the chapter and the Academy from the beginning. Annie Bartlett Shepard (1861–1944), Molly Reid's founding regent (1894–1897) and later New Hampshire state regent, was the wife of Frederick J. Shepard Sr., longtime trustee and treasurer of Pinkerton Academy, and the mother, aunt, and grandmother of three other school trustees and treasurers (and grandmother of the astronaut Alan B. Shepard Jr., Class of 1940, PA's most famous alum). Mary Upham Cogswell Bingham (1845–1902), a charter member and active officer of the Molly Reid Chapter and its second regent (1897–1899), was the first wife of longtime principal George Washington Bingham. Mary Latham Clark (1831–1911), the third regent, was the mother of chapter member Sylvia Clark (PA, Class of 1890), who taught for many years at the Academy. Fifth regent Martha G. Stevens (b. 1848) graduated from Pinkerton in 1866. Regent Mary L. Durgin Chase (1852–1927) was married to trustee John Carroll Chase (Class of 1869). Also evident of the closeness between the chapter and the school was the DAR's performance of a colonial play, *Soldiers Brave and Maidens Fair*, on February 22, 1909, in which all but three of the cast members were PA alumni. Two weeks earlier, the chapter regent had presented a bust of Abraham Lincoln to the Academy at the school's celebration of the centenary celebration of Lincoln's birthday. (see "A Few More Pinkerton Statues," *Alumnus*, Summer 2017).

(To be continued)

PINKERTON'S GOLF TOURNAMENT

The 27th annual
Alumni Golf
Tournament was held
on October 4, 2019
at Passaconaway
Country Club.



The Pinkerton Academy 27th Annual Alumni Golf Tournament was held on Friday, October 4th at Passaconaway Country Club. It was a chilly fall day, but the sun was shining and turned into another successful year with money raised supporting the Campaign for Excellence! Thank you to all of our golfers, sponsors and volunteers who made this day possible!

SPONSORS

Platinum Sponsor - \$2,500

Enterprise Bank

Cart Sponsor - \$1,000

American Excavating Corp/Tom, Dave & Steve Lannan '86
Benson Lumber and Hardware, Inc./
Grant, Brad & Scott Benson '82

Silver Sponsors - \$750

Coca-Cola of Northern New England
Fred C. Church Insurance
McLane Middleton, PA

Bronze Sponsors - \$500

Casella Waste Systems
Health Plans, Inc
Northeast Delta Dental
Norway Hill Associates, Inc./James McKay '88
in memory of Doug McKay '81
Pentucket Bank
Quality Graphics

Mulligan Sponsor - \$350

Sweeney & Sweeney, PC – J.L. Sweeney '87

Lunch Sponsors - \$250

(purchased sandwiches, chips and coolers)
Advanced Allergy Centers of New England/
Holly Ruocco '87
Alternative Designs/Jeff Buffum '88
Pinkerton Academy Alumni Association
Marinace Architect, PA

Hole Sponsors - \$150


Ahern, Nichols, Ahern, Hersey &

Butterfield Family Dentistry
Birch Street Collision/Jon King '84
Castleton Banquet and Conference
Center
Clam Haven/Rick Metts '76
Debbie Mackenzie Realty '81
Derry Sports and Rehab
Eckman Construction
Fred Merrill, EA
Kelleher Kitchens and Design/
John Kelleher '78
Lakeside Lanes Bowling Corp
Motor Sport Tire Co./Marie '75 &
Buster Brown '66
Mulrennan, Rugg & Company, PC
Pappalardo and Merrill, PC
Peabody Funeral Homes Crematorium/
Erik '85 & Craig Peabody '87
Petra Paving, Inc.
Premier Physical Therapy/
Krista (McLean) Rogic '05
Poor Boys Diner/Dave Fortier '85
RE/MAX Innovative/Andrew White '89
S & S Landscaping, LLC/Scott &
Steve McMaster '92
Sunset Park Campground, LLC
School Furnishings
Steven's Auto Service and Sales
The Store N More
Tewksbury Wealth Management, Inc./
Shawn Tewksbury '89
The Ultimate Attraction/Becky Allen '83

RAFFLE

Our raffle brought in \$3,475 and was made possible by the following businesses that donated gift certificates and merchandise. Please consider these establishments when in the area as they have supported our tournament.

Amphora, Angela's Pasta, Aroma Joe's, Backmann Florist, Backyard Brewery, Brooklyn Bagel, Blue Seal Feeds, Inc., Candia Road Convenience/Brewing, Complete Athlete, Derry 5 Star Cinema, Dunkin Donuts, Derry Pizza, English Muffin Restaurant, Fisher Cats, Fody's, Giovanni's, Goldenrod Restaurant, Halligan's Tavern, Hampstead Center Market, Hampstead Family Hair Depot, Hidden Creek Country Club, Hoodcroft Country Club, Innovative Liquidators, J & B Butcher, Jake D's Roast Beef, Kelson Brewing Co., LaCarreta, Lazy Dog Beer Shoppe, Moo's Place Ice Cream, Neko Nails, Oasis Salon, PA Stockbridge Theatre, PA Basketball Camp (boys and girls), PA Boys Soccer Camp, PA CTE Summer Camp, Palmer Gas and Oil, Panera Bread, Passaconaway Country Club, Poor Boys Diner, Princess Jewelers, Puritan Back Room, Royal "T" Car Wash, Sal's Pizza, Seasons Pizza, Sabatino's Restaurant, Souvlaki Pizza and Subs, Springlook Farm Garden Center, St. George Greek Orthodox Cathedral, T-Bones Restaurant, The Coach Stop, The Spa Within, Tractor Supply, Tuckaway Tavern, Tuscan Market, Twins Smoke Shop, USA Subs, Windham Restaurant, Thrive Juice Bar and Wholesome Eats, and Zoey's Pizza



Save the date!
Our tournament will
be held on Friday,
October 2, 2020
at Passaconaway!



Mike Colloti '89, Mike Caledare '89, Billy Fayle '88 and Dana Fitzpatrick



Scott Southwick '76, Jim Settle '74, Bill Walsh, Jim Southwick '74



Scott McGratty '88, Peter Cusson '88, Joe Nadreau '88, Gregg Gaetz '85 & James McKay '88



Patrick Connerty, Andrew Santos, Adam Mead '04, Peter Rayno



88er's getting warmed up - Tom Gorrie, Jeff Buffum & Anthony DeSimone.

All of our signage for the tournament was provided by Ron Valentine of Quality Graphics, Inc., Great American Subs (Ricky Savoy '00 and Dave Carignan) made the sandwiches. Mack's donated the apples and Coca-Cola of Northern New England provided drinks located around the course. Tony Zdunko '79 facilitated the purchase of the jackets each participating golfer received. ***A special thank you to the committee members and volunteers who make this day possible!***

AWARDS

First Place:

Tammie Morrione, Jimmie Tokanel, Mark Barron & Kevin Murphy

Second Place:

Jeff Buffum, Kevin LaGree, Anthony DeSimone & Tom Gorrie – all class of 1988

Straightest Drive

Men - Dana Fitzpatrick

Women - Vickie Buckley Chase '73

Longest Drive

Men - Jeff Sojka '03

Women - Michelle Demirjian

Closest to the Pin

Hole #4 - Kevin Murphy

Hole #11 - Kimberly Smith

Hole #13 - Mark Dimarsio

Hole #17 - Dana Fitzpatrick

CLASSNEWS

FALL 2019

—1937—

Ruth Wells just celebrated her 100th birthday on August 28, 2019. Her daughter Polly (1967) gave her a surprise birthday party. Ruth is doing very well and was living with her daughter Polly and her husband Steve (1966) until recently. Ruth is now residing at Merrimack County Nursing Home in Boscawen, New Hampshire.

—1945—

Elaine Latulippe Rendo
19 Lane Rd., Derry, NH 03038 • (603) 432-9633
elainerendo@comcast.net

—1948—

Lorraine Marquis Routhier
2 Severance St., Derry, NH 03038 • (603) 432-2032
lmr2030@comcast.net

—1949—

Virginia Verge Nelson
7 Kendall Pond Rd. #209, Derry, NH 03038 • (603) 432-2220
nelsonv1000@aol.com

—1950—

Correspondent Needed

—1951—

Claire Marquis Lewis
(603) 520-8821

—1952—

Eleanor Watt Barton
24B Wren Court, Derry, NH 03038
(603) 434-0646 • ellieb79@comcast.net
Carolyn Hodgdon Cassidy
2 Kingsbury St., Derry, NH 03038 • (603) 432-3573
Nancy Gray Sullivan
491 Mammoth Rd., Londonderry, NH 03053
(603) 432-6668 • (603) 370-8951 (cell) Nansilvn@comcast.net

The Class of 1952 sends sincere condolences to the families and friends of **Wally Mack** who passed away December 10, **Henry Poisson** on March 20, **Mary Casey Giroux** on June 28 and **Stanley Laferriere** recently in September. Once again classmates, we plead for some good or happy news so that we do not have only obituaries to report.
Nancy, Ellie and Carol

—1953—

George (Telly) Wells
23B Wren Court, Derry, NH 03038
(603) 432-7252 • cyntelmug@gmail.com

Dear Classmates,
We could not have asked for a better summer. Right on time fall has arrived. The leaves are starting to turn to those beautiful reds and oranges. I love this time of year. Regretfully I have to report

losing another classmate. **Nancy J. (Boyden) Shepard** passed away in August. Nancy was a fun loving person. I enjoyed meeting her family at the wake.

Classmate **Ginny (Carey) Boyle** still ventures to Derry from Florida and TEDA joined the Londonderry Senior Center Group and attended their functions. Ginny was lucky that her return flight was not cancelled. The hurricane was lurking around the coast at the same time. TEDA, Ginny and I did get together for breakfast at the Cracker Barrel and reminisced. Ginny lost her sister **Mary (Carey) Giroux** this year. Mary was in the Class of 1952. Our condolences Ginny. I have been remiss for not mentioning that classmate **Norm Fortier** call periodically to check up on our classmates. When we talk it is a trip down memory lane trying to remember names, places and events. Good exercise for the brain!

Thoughts from **Telly Wells** Derry in days of old! Those days were for me at least, fun, easy and slow enough to remember. The walls in Derry Medical Center display pictures of Derry. One is the Class of 1908. Senior steps look the same as in 1953! I could not see John Pinkerton's nose. I wonder if it was shiny in 1908? A picture at Alexander-Eastman Hospital in East Derry where Dr. Sipe stayed overnight with our 14th month old, Lauri ('78) helping her through spinal meningitis. Also, February 1935 **Janet (Putman) Carol '53** and her twin sister **Joanne Putnam Marchand '54** were the first set of twins born at the Alexander-Eastman Hospital. Wow! President Morriso-Bob we called him said his broken leg that Bob Taylor landed on at Oak Street Junior High was repaired at the Alexander-Eastman Hospital.

Derry's Hannaford Supermarket has on a wall near the checkout counter a 3ft by 6ft picture of East Broadway looking from the cross walk of the first National Bank toward the red light. A '53 Chevy sits in front of the two granite steps in front of the five and 10 cent store called New Berry's. Dianas' Tea Room, Family Drug, Public Service Co. office and many 30's, 40's and early 50's vehicles are visible parked diagonally. Hannaford's store also has a picture of the circular eight sided swing we could spin by hand at Comeau's Beach sitting in two feet of Beaver Lake water. No picture of the pavilion at the lake. Remember? I learned to dance at Comeau's as a youngster and strut your stuff at the Pavilion as teenagers! Jitterbug!! Ole time memories. Four 1953 classmates-Air Force Vets **Ken Whitney, Ernie Cote, Bob Morrison, Telly Wells** skype off and on. Current tragedies, health, sports and ole time memories are discussed. Be well '53ers. Please inform us of any information of happenings in your part of the world that you would like to share. Lastly, stay well and enjoy the holidays that are coming.

Janet, Bob, Telly

—1955—

Pauline Miasaszek Elliot
61 Hardy Rd., Londonderry, NH 03053 • (603) 432-5845
paulineelliott61@aol.com

Well, I got the e-mail that the Fall issue was due September 16th. I had no news at all! What to do? I sent HELP ME e-mails to classmates I have e-mails for. Thank you to the following classmates who so generously and quickly responded.

Celia Barry Warren stated that she just got an e-mail from our grandson Dillon McGuire that he has gotten cast in an adaption of The Polar Express for the holiday season. He graduated from Boston University in May from the College of Performing Arts and moved to New York City in July. We are so proud of him.

Doug and I have both been very busy rehearsing for a fairly large chorus here in Port St. Lucie. We will be performing just before Thanksgiving. We also sing with our Church Choir and performed our first time this year last Saturday. Living where we do we have to keep an eye on the hurricanes this time of year. We escaped the bullet with Hurricane Dorian. The Bahamas are only 100 miles from us so it could have stalled over us instead of the Bahamas! We celebrated our 60th Wedding Anniversary, which was on September 6, 2019. We went up North for our grandson's graduation and while we were there, our daughter gave us an Anniversary Party, with many of our relatives and friends. We live in an over 55 park which has many sports and social activities that we partake in. It is a great life for us. *Celia*

Roger Ruel mentioned that my wife, Eileen and I recently had a pleasant trip from our home in Queensbury, New York to Derry to attend my brother-in-law, Howie's surprise birthday party given by his wife, Jeanie, and two daughters, Stacey & Jessica. It was a fun time getting caught up in local news with **Andy & Claradell (Gard) Anderson** (our class-mates 1955), Paul & Sally Krukonis, Janet Peabody, my sister, Yolande & her husband Bob Klein. Also got to visit with George & Pat Madden. On a personal note we are both in reasonable health and continue to enjoy boating on Lake George and cruising in our 1969 Camaro SS clone. We are fortunate to have our daughter, son-in-law, granddaughter and son, living close by. I'm looking forward to our next 1955 class reunion. **Roger Ruel '55**

Bill Linsky added that I spent the last 2 weeks of July at Hampton Beach. I have been going with the same couple and their kids for many years. Now the kids get their own places with the family. I had a great time. I plan to go to Las Vegas in October for a few days and hope to go to Florida this winter again. I love going out to breakfast every day. I eat out a few times a week when Bonnie does not have to work. I hope this finds you in good health. **Bill Linsky**

Bob Jones asked Pauline maybe there's more addresses in your email than I see but do not see **Bob James** (maybe I just don't recognize it). However, I did want to mention that Carole and I stopped by to visit with him and Jeanette on our way back from our son's wedding in Illinois. I had a great visit with them BUT since learned from Jeanette that he took a bad fall and was in the hospital. Those that wish may want to contact them to see how he's doing. **Bob**

Bob James Hello Class of 1955. After their son's wedding in Illinois, **Bob & Carole Jones** stopped at the Zames "b and b" for a short visit at our home in a suburb of Cleveland. The Jones were on the way back to their summer island residence in New Hampshire. Shared lots of great memories about Pinkerton and the Derry we knew. Good news is everyone in reasonably good health and looking forward to our next class reunion. Best regards to everyone. **Bob and Jeanette Zames** 440-478-2308.

As the old saying goes: GREAT MINDS THINK ALIKE!!!! **Bob James**, sure hope you are doing well and recovering quickly.

Dennis Boles indicated that **Dennis** and I are up at Rocky Pond/Gilmanston, NH celebrating our 60th wedding anniversary with his brother Ralph and Irene. The weather was beautiful here at the pond yesterday and we are loving the cooler weather as a big change from Maryland. We'll stop by to see you when we come down to Derry over the weekend. **Margaret**

I was just re-reading my plea for help. Sounds pretty desperate! But you guys came thru for me. Thank you again, loved your e-mails and your lives. Life is good. Now that you guys got the ball rolling, let the rest of you see how easy it is to send me a little about your life. Come on, it only takes a little time and we finally get to find out how you are and what you have been up to. You have all winter to think about it.

On a nice note! I was grateful that we didn't lose any classmate this summer. Hopefully I didn't miss someone. Just grateful, none to report on. Well classmates, hope you all have

a wonderful, safe, happy and healthy winter! The good Lord willing, you will hear from me in the Spring. Remember, next summer is our 65th reunion. Ugh! Ugh! Can you believe it!!!!!! Any good ideas are always welcomed. Be thinking about it. Always remember: EVERY DAY IS A GIFT!!!!!!

Your Friend & Classmate,

Pauline

—1956—

Ed Holm

2 Birchwood Drive

Londonderry, NH 03053 • (603) 432 7484

Edholmjr@comcast.net

Marcia Boyle Abbott

11 Madden Rd., Derry, NH 03038 • (603) 432-2991

I am writing this report on September 15, 2019. It is Pinkerton's goal to have this *Alumnus* out by Thanksgiving. I hate to repeat, but our news from classmates record has remained unbroken.

Received this report from our President **John Goyette** Summer 2019 has gone by all too quickly. I don't think any of us are prepared for a winter like last year, unless you are a lucky class member living in a warm climate. As Gretchen knows it's cider season here. Time for football and fairs. Some like the Deerfield Fair have grown a little bit too large. And now we are seeing our grand kiddies go off into the world. My two granddaughters are in college, and my son and his wife are "empty nesters" for the first time. Please send some of your own stories to Ed.

Your class planning committee wants you to know that we are thinking about our PA 1956 reunion. Our 65th. Wow! Our day will most likely be in early September, 2021 less than 2 years from the time you read this message. We want maximum attendance! Lastly, Ed asked me to mention that we have a surplus in our class treasury. The reason is that you all were so generous in donating to our 50th reunion "Bench Fund" that we saved more money than we spent. These funds have been merged and managed by the PA Treasurer's office so that we now have a \$3500+ reserve. We are open to ideas on how to spend it. Essentially those thoughts should focus on the general category of how we can help enhance the PA experience for students and faculty. So let us know. Thanks. JG

Our sincere condolences to **Priscilla Warren Taylor** and family whose sister Rosemary Warren Nicoll passed away on July 19, 2019.

As predicted in the last *Alumnus*, my visit with **Lillian Matarozzo Kennedy** in Florida in March resulted in a weight gain from her Italian cooking. I spent the remaining time in the Tampa area.

In July Lillian came to New Hampshire to visit her Matarozzo family staying with sister **Rita Matarozzo Raiche** and husband Niel. I visited Lillian and family at Rita's house, who also served some Italian food, which did not help my waistline. **Madeline Clark** and **Betty Hilliard Bernier** also attended.

The golf season is winding down, however, I am still teaming up with **Bob Bettez**, **Jerry O'Donnell** and **Richie Cowette** many times this summer at Hoodcroft Country Club. We have graduated from walking to using riding carts. We participate in the Senior Men's Golf League every Wednesday. We see **Madeline Clark** often at Hoodcroft, who plays in the Ladies Tuesday League. I am sure everyone saw the picture in the Spring *Alumnus* of the new Pinkerton football field. One would have to personally see it to really appreciate the beauty of it. It sure beats the old OVAL. It is now relegated to a practice field.

Next issue will be in the Spring. I wish we could skip Winter.

Ed Holm

This message is for **Beverly O'Donnell** Class of 1956 from your children and granddaughters, **Cathy (O'Donnell) Seeley** (Class of 1978), **Thomas O'Donnell** (Class of 1981), **Susan O'Donnell** (Class of 1983), **Melissa (Seeley) Hamlin** (Class of 2004) and **Jessica (Seeley Plourde) Hutter** (Class of 2000). We would like to tell you that we love you and are so proud to call you our GiGi. We know that the last month or so has been a little hard for you, but we know it's just a matter of time until you are back out there at the Pinkerton football games cheering on your favorite team. If you go to the games this fall and you see Beverly and **Jerry O'Donnell** (Honorary Pinkerton Alumni) out at the football games, be sure to tell them hello, let them know you are glad she's feeling better, and ask her about her Great-Grandsons (Jacob Hutter and Ryker Hamlin – future Alumni of Pinkerton Academy Class of 2036).



JoAnne Smith on the left, Kathy Reardon on the right, skating on Ross's Pond in 1955 which is now the location of the Derry Police Department.



1st tee Hoodcroft Country Club, with classmates L-R Bob Bettez, Madeline Clark and myself Ed Holm.

—1958—

Wayne Ross

84 District 5 Rd., Concord, NH 03301 • (603) 225-9656
Rossview@comcast.net

Dear Classmates,

Tom and Sona Hoisington are vacationing in the Netherlands. Tom wrote about visiting perhaps the oldest museum in the world. He and his wife have spent a lifetime studying languages and they found they could understand some of the very old wall texts in this museum located in Haarlem, Netherlands

On another note, acknowledging the passing of **JoAnne Smith Button**, I found a picture of JoAnne and **Kathy Reardon** class of 1957 skating on my father's pond known as Ross's Pond. Where they are skating is now the location of the Derry Police Station-see picture 1955. JoAnne loved skating and requested I always keep her informed how the skating was at the pond. It was my farm duty to keep most of the snow plowed off for my father's ice harvest come February school vacation, it also provided for public skating. In the later years, JoAnne and her husband Chester were dependable strawberry customers, buying strawberries from my farm in Concord and taking time to reminisce with me.

Class correspondent

Wayne Ross

—1959—

Richard West

843 Gould Hill Rd., Contoocook, NH 03229
 (603) 746-5169 • HAMPBALL@aol.com

—1960—

Gail Waterhouse Merrill

38 School St., Salem, NH 03079 • (603) 231-3478
iquiltnewsew@comcast.net

Natalie Shripsa Fuller

149 Portland Ave. Apt 58, Dover, NH 03820
 (603) 781-7286 • silvafox54@aol.com

Hello again. Well summer is almost over and it is time to write our column. I must apologize to all of you as I have not been up to my usual self. I have been depressed since family passed away and was caregiver to my mom. I'm am finding out later that once you are a caregiver you never return to be the person you were. I had lost all my passion for doing things. However, I think I am starting to feel a little better although, even with all my children, grandchildren and great grandchildren I still feel all alone. We are still having major medical problems with Bentley and that poor child has been through so much in his short 6 years.

To change the subject I heard from **Kenny Strino** recently and he had a question for me. He was wondering if anyone knew anything of the whereabouts of **Roger Woodward, Richard Woods** or **Marilyn Bennett**. I informed him what I knew but I didn't know anything on Roger or Richard. Does anyone have any information that I could pass on? Kenny is doing well but does not get out around much.

I don't seem to hear from many people as I am kind of in my little shell, which sometimes is not a good place to be. I would like to hear from Classmates as to how life has treated them. I would like to get some bios on all of you. I never hear from a few of our Classmates. I have Type 2 Diabetes, Graves Disease and several other ailments. I am not the same person I was and I am sure a lot of you aren't either. I think it would be nice to share our lives as we don't have that many years left. My life has not been an easy one but I am a survivor as of today.

Please let me know what is happening in your life or not happening. I love you all and I am just trying to connect. I have missed so much of your lives.

I guess I have preached enough for this time. A Reunion should be coming up in 2020. It would be out 60th, I believe. Isn't that funny? Class of 1960 having a 60th Reunion. Does anyone know what is happening? Some food for thought.

Until next time, I remain
Your Class Co-Correspondent
Natalie Shripsa Fuller

—1961—

Joan Eaton Tessier

1 Hodgdon Rd., Northfield, NH 03276
(603) 491-3627 • jtessier@metrocast.net

Tim Pierce

2376 Millstream Ave., Winterset, IA 50273 • (515) 468-8830

On Friday, September 6, 2019, 17 classmates and in some instances spouses, gathered for a special class lunch. Although we regularly gather for lunch on the first Friday of each month (except during some winter months) our lunch today was in honor of classmate *Althea Davis Lyons* who is leaving her home of 50 years and her lifetime in Derry. Althea has moved to Arizona to be near her niece *Gail Mosman Stoecker*.



Back Row: Gerald Andres, George Paradise, Carol Barrett, Betty Gallien Andres, Earl Warren, Jim Marcotee, Joan Eaton Tessier, Kathy Druin Cooper, Linda Soucy Duston, Harold Fink, Eleanor Hull Kimball, Bill Manning, Joan Lavoie Desclos, Susan Marcotte. Sitting: Althea Davis Lyons, Cas Morin Donovan, Stephen Glod.

—1962—

Sue Tetreault Williams

4 Ocean Rd., Portsmouth, NH 03801 • (603) 431-5130
suewilliams@myfairpoint.net

I received the following e-mail from *Jim Coburn* a couple of days after the last edition of the *Alumnus* magazine: Hello Sue, I am glad that you continue to carry the Class of 1962 Banner. The article on *Ann DePalmenary* hit home because they also lived on Hall's Village Road in Chester back before Pinkerton. I am keeping busy at home in Windham, where my wife and I moved after we left Chester in 1986. My wife passed away in 2004 from MS. She was diagnosed in late 1987, just after we move into our house here. After a short run at Republican politics, I have been seeing this wonderful country of ours. I brag that I "drove my own car" through all of the lower 48 States. I have been to around 20 of the National Parks some several times. My favorites are Yellowstone, Grand Canyon and Glacier National Park. I bought an 8 week old Yellow Lab puppy in January of last year. He, Jake, and I just returned from a trip with a pickup truck and camper, out to Iowa, down I-35 to San Antonio, camping a few nights at Canyon Lake and other, then home through Texas, Boulder, CO to see my youngest Son. Then home through Wyoming, South Dakota/Black Hills, Badlands, and I-90 all the way home. Anyway, life is

good except for the aging thing. I am on Facebook, and welcome any contact through that channel. I hope you are well. Be Happy, and enjoy every moment. Cheers, Jim."

It was good to hear (AT LAST!!!) from a member of the Class of 1962!!! I've begun to think I must be the only one out there!!! I regret to inform the class of the death of *Judy Morneau* – obituary from the Union Leader follows: *Judith A. Morneau Grieco*, 75, of Hampstead, died Friday, August 2, 2019, from complications from renal failure in the Lahey Hospital and Medical Center, Burlington MA. Born in Derry on May 21, 1944, she was the daughter of the late Ruth (Hoisington) Morneau. She resided in Hampstead Since 2002, formerly living in Windham. Judy enjoyed wintering in Florida and spending her summers camping with her family. She loved spending time quilting And she was always eager to attend recitals and sporting events for her grandchildren. Family members include her husband, John A. Grieco Jr. of Hampstead; her daughter, Robyn Harris and her husband Brian of Windham; three grandchildren, Emily Harris and her fiancé Tyler Cady of Derry, Abby Harris and Ethan Harris, both of Windham; her brother, Richard Morneau and his wife Sue of Plaistow; and nieces and nephews. Judy was predeceased by her siblings, Robert Morneau, Brenda Levesque and Dorothy Shorey." A Celebration of Judy's Life was held at Puritan Restaurant and Convention Center, Manchester, on August 10, 2019, hosted by her family. Judy was cremated and burial was in New Cemetery on the Plain, Windham. It was requested that in lieu of flowers, donations be made to the Transplant Division of Lahey Clinic, 41 Mall Rd, Burlington MA.

On another note June 2022 will be our 60th anniversary since graduating from Pinkerton!!! Can you believe it?? Somehow, it just doesn't seem possible!! Is anyone interested in a reunion? Is anyone willing to take it on? Please let me know if we're going to do a Reunion. We should start planning now. By the time you receive this the holidays should be in full swing. I wish all of you happiness and good health for the coming year.

—1963—

Margaret Spooner Bunker

3 Wood Ave., Derry, NH 03038
(603) 560-6583 • mimiquilts@comcast.net

I wanted to share with all of my classmates the amazing journey I've been on for the past two years. I've always suspected that Francis Lee was not my real father, but never knew for sure. In March of 2017 I sent in my DNA sample to 23AndMe.com and got confirmation that he was indeed not my biological father. That began a search to find out who my biological father was. With the help of my sister, Sandy (class of 1964) I came up with a name. In October of 2017 I was able to make contact with one of my new sisters Cindy. In June of 2018 Sandy put together an amazing family reunion that brought together both families. Two of my new sisters, Cindy and Sue, flew to New Hampshire from San Diego. I was able to meet them for the first time along with my new Aunt Paula, who lives in Londonderry. I also met several new cousins who live in New Hampshire and Massachusetts. In October of 2018 my wife and I flew out to San Diego to meet my other three new sisters; Diana, Leslie and Linda. I also met two new nieces, two new nephews, a brother-in-law and a sister-in-law. I did have a brother, Steve, but unfortunately he died in 1984. I can't begin to explain the emotions I've been going through over the past year. I suppose only someone who has been adopted and found their biological relatives would understand. My father's name was *Charles Saunders Jr.* He was in the Pinkerton class of '44. Unfortunately, he passed away in December of 2007, so I never got to meet him. The general consensus among my new sisters is that he didn't know about

Continued on page 20.

#TogetherWeArePinkerton - 17

by Peter Gaucher

Dr. Carl Forsaith '09, a fellow Dartmouth alumnus, was the trustee on my interview panel in May of 1974. That August, when I drove to Derry to get my schedule, Nancy Fontaine Cofrin '72, the secretary in the discipline office that is now the reception area for Dr. Powers, gave me a lead on an apartment on Birch Street that became my home for the next 11 years. My neighbor was Marion Piper Caldwell '45, who became a devoted friend until her passing a little over a year ago. PA alumni are the core of my Pinkerton memories, especially the scores of students who endured Mr. Grammar, Max the Wonder Cat, and my obsession with anything British.

When I started, Pinkerton had about 1400 students including those from Londonderry and Windham; the English Department had 19 teachers, 4 of them—including me—fresh out of college. When I left the department last June, there were 38. When those who started with me hear grumblings about recording grades in Aspen, we remember that in 1974 students brought their blank report cards to class to have each teacher write in the grade. In June, all of the report cards for the entire school were alphabetically arranged on the tables of the Shepard Cafeteria for us to search through. That practice segued from bubbling on data cards to writing grades on carbonless sheets before we started inputting, first in a dedicated computer lab then on our personal devices.



Mr. Gaucher has inspired countless students in his decades of teaching.

In 1974 Pinkerton had only two custodians to oversee the Pinkerton, Shepard, and Saltmarsh buildings in addition to the new English Wing along Pinkerton Street; there was also a caretaker for the farm across By-Pass 28 which is now playing fields. Buildings and Grounds along with Security currently numbers almost 30. The 1975 *Critic* noted 18 separate athletic teams and 30 organizations; in 2019 there were over 60 and 67 respectively. That same early yearbook noted 40 members of the National Honor Society; in the 35 years I have been adviser, the membership peaked at 212 a few years ago and was 168 last year. Now twelve, not three, administrators ensure the efficient running of the school; they, however, no longer reference “the hill” as part of their concerns.



Officially retiring in the spring of 2020, Mr. Gaucher celebrated 45 years at Pinkerton at the 2019 appreciation dinner.

As **Ann West** and **Jim Goss** were preparing for the Junior Play, *The Importance of Being Earnest*, in the spring of 1975, Jim broke his arm, which began my tenure as an assistant on the class plays and eventually the *Pinkerton Players*. Plays were produced on the cramped stage of the Shepard Gymnasium, and the audience sat on uncomfortable folding metal chairs that had to be realigned after every performance. Most of the set construction was done right on stage, sometimes during athletic practices. During the performance, players had to race through the corridor behind the stage past classrooms that had been transformed into dressing rooms to access stage right or stage left. Lighting was minimal; players had to almost yell to overcome the creaking of those metal chairs in a space where the acoustics were, well, the acoustics one would expect in a gym. Tickets were not instantly produced by a thermal printer; I had to design and order the boxes of cardboard squares from the print shop on Norton Street owned by **Ray Fisher '30** and his wife. Overall, it was a far cry from the wonders of the theater that fans enjoy today, but the dedication and excitement of those who could only dream of a facility like the Stockbridge were as strong then as they are now.

Soon after I began working on the plays, I started to assist **Kiki Harrington** with the *Critic yearbook*. Walking into her room after school on Mondays, you would see desks cluttered with glossy photos, complicated cropping devices, multi-carbon layout sheets, and pages of copy. Once the design had been drawn on the layout sheets and the cropped pictures and edited copy stuffed into the layout pocket, the multiple spreads had to be boxed for shipping. Then we would wait for the tell-tale large proof envelopes to arrive to be checked and shipped back. Overnight shipping was costly, but it made meeting deadlines much less stressful. The staff met after school; there was no credit course. It was actually three staffs: the yearbook staff responsible for designing the book and creating copy; the typing staff responsible for typing all copy and each senior bio; and the business staff, which solicited the annual yearbook ads from the community. Today, walking into the Publications Center to see the students in the yearbook course at work, you would see students focused not on masses of paper but on computer screens displaying massive layouts of brilliant color and creativity using technology that we never imagined, producing an award-winning chronicle that has its roots in those many after-school sessions in room 100. Sending completed pages involves a mere keystroke. It would be remiss of me to omit, however, that there was a new technology available in 1974 that significantly eased the burden for all teachers. I had to

drive to Boston to purchase a \$100 device that with the aid of 4 AA batteries could miraculously add, subtract, multiply, and divide; it was the size of a large iPhone that displayed numbers in 6-point font.

One thing that has not changed in the past 46 years, however, is how teachers can have the most significant impact on their students without realizing it. One June I got an e-mail from a former student, who thought I would remember him as a young punk. "I just wanted to write a note of thanks for all your help and guidance. I don't know if you remember but I called you a year or so after I graduated. I was working as a computer engineer at IBM, and I was looking for some info on becoming an English teacher. You helped me a great deal. Last year I received my MFA in fiction from Syracuse University, and I just finished my first year of full-time teaching. I taught writing at the State University of New York at Syracuse, and I taught a fiction workshop at Colgate this past semester. My grad thesis is a novel that is now being considered at Harper-Collins." Another sent a note just to say that something I had said to him at a pivotal point in his life was never forgotten. Then there was the postcard I sent nominating a brilliant but shy young student for a leadership seminar in Washington, DC. She wrote back from Washington, but this time she was working for the Obama White House. When I graduated from college, my parents cautioned me against pursuing a career that was traditionally not lucrative; my first-year salary was \$7,150. But 46 years at Pinkerton has done much more than pay my bills; it has fed my soul.

Pinkerton's history is more than just facts; it is an expansive collection of personal memories and anecdotes which, for me, are sometimes a bit misty and water-colored. That's where former students and other alumni can help. Please react, correct, or add to these memories of PA, updating our institutional memory. You can send any of these reminiscences in whatever form, short or long, to pinkertonmemories@pinkertonacademy.org so that we can start to collect our unique recollections of Pinkerton's past. Some of you may remember the time that a certain 10A Julius Caesar plot diagram, which was done on a whole watermelon, rolled off my file cabinet and splattered on the tiles. The next morning, crime scene tape had mysteriously appeared on the floor! 🚓

"One thing that has not changed in the past 46 years, however, is how teachers can have the most significant impact on their students without realizing it."

me. So!!! If you have a Saunders, Bushway or Peabody in your family tree, we may be related. I wrote a six page story about how I found out who my father was and how I made contact with my new family. If you're interested in reading it, my email is rlee91@bellsouth.net.

Ron Lee

I enjoyed reading Ron's article when he first sent it to me. His sister Linda and brother Steven are my first cousins. His father was married to my aunt on my mother's side. We are actually not related but have decided that we are 'almost' cousins. *Peg*

—1964—

Joanna Myette Wentworth

5 Washington St. Apt. 14 Bldg. 2, Goffstown, NH 03045

joannaw@comcast.net

Richard Pounder

23 Westwood Circle, Dover, NH 03820

rpounder46@gmail.com

Thirty members of our class along with twenty guests enjoyed our 55th Reunion on Sunday, September 15th at the Astro Café on the Pinkerton Academy campus. The Café is very nice and the Culinary Arts Department did a fantastic job. Other classes shouldn't hesitate to use this venue for your reunion. Thanks to **Jane Gallien Potter** for once again doing an outstanding job coordinating our reunion. The class made a \$300 contribution to the Culinary Arts Scholarship Fund and Jane will also make a donation to the Alumni Association from the class account.

Jane has also passed along the following, with a heavy heart, we have lost a classmate and a dear friend to Bob and me. **Skip Pope** passed away in March. Our thoughts and prayers are with Andrea and their family. Should you want to send her a card her address is: 16838 Harley St. Hudson, FL 34667. **Marcia Clukey-Currier** posted on Facebook in June that her husband, Leigh Currier past away from complications of pneumonia and cancer that he had been fighting for the past 3 1/2 years.

We would like to hear from some of you that we have not heard from in the past. Keep those emails coming.



Class of 1964 reunion celebrating their 55th reunion.

—1965—

Lana True Stevens

502 Chula Vista Avenue, Lady Lake, Florida 32159

(864) 653-5772 • ltstevens47@yahoo.com

Linda Pelletier Greenwood

255 French Rd., Dalton, NH 03598

—1966—

Barbara Stevens Ellingwood

59 Berry Rd., Derry, NH 03038

(603) 434-2016

forbarb@comcast.net

Vicky Jaynes Mason

vjmason1@comcast.net

So how is everyone? Currently the days are warm but the nights are cool. Touches of color around town reminds us fall is on its way. So glad our friends and classmates in Florida and up the coast were not spared from Dorian...

Speaking of the 'Sunshine State'... here's a few words from *Vicky...*

I have just added **Bill Schultz** to my Facebook friends and have enjoyed catching up with him. Thank goodness for social media reconnecting most of us after all these years. What is most exciting news is that Bill's daughter Katey Schultz has just published a book and is getting great praises from those who have read *Still Come Home*. Excited to begin reading it and anxiously waiting for my preorder. You can get your copy on Amazon. Sorry to learn in April the passing of one of our classmates, **Barbara Moeckel Bell**. Barbara was a lifelong resident of Windham and my friend since the second grade. She is survived by a son and daughter, three grandchildren and a brother Bruce Moeckel, retired Police Chief for Windham, NH. She was predeceased by husband Les Bell in 2012. They were best friends for 40 plus years.

Nancy Richardson Vakalis visited with Barb for a few days in August. While exploring parts of North Londonderry, we stopped by to say hi to **Madeline** and **Alan Saulnier**, who were working outside in their garden. They gave us a tour of their home and their beautiful gardens. So nice to spend time with them, even though they hadn't expected us! Thanks, Madeline & Alan! I also got to visit the Alumni office with Barb. Lots of changes there and the Alumni staff are very nice. Many good ideas planned for PA alumni. Thanks, Barb, for having me over for a few days — I needed some of that New Hampshire air.

I'd like to welcome **Meagan Sojka** who began her new position in July, as the Alumni Coordinator. Meagan is a 2003 graduate of PA "it's great to be 2003" and will be working as a liaison between the Alumni Board, school and 29,000+ alumni by helping to coordinate reunions, planning alumni events, and collaborating on the publication of *The Alumnus*. She returned to PA 11 years ago as a paraeducator for a year before being hired as a Special Education teacher. Meagan's phone number is 603.437.5200 ext. 1101 and her email is msojka@pinkertonacademy.org

Until next time... Happy Thanksgiving and a Merry Christmas to all, and yes, then we get to 'welcome in' 2020!!!

Have a wonderful New Year

Vicky & Barb & Nancy

—1967—

Polly Wells Tewksbury

PO Box 82, Laconia, NH 03247

(603) 483-2050 • ptewksy@msn.com

From your correspondent - I have not got any sad news to report this time, Thank God!

I do have big news in my life. Steve and I have sold our house in Chester. We sold it in just 3 days in April. So we have officially retired after 28 years in business. Unfortunately the people did not want to buy our boarding and grooming business like we hoped. I am still going to keep breeding my cocker spaniels as I have done for the past 45 years. We have moved up to our lake house in Gilford, NH on Lake Winnepesaukee while our house that we

are building in Gilmanton, NH is finished. I just celebrated my mom's 100th birthday on August 28th with a big family party. She is doing really well, a little forgetful but aren't we all. I am very fortunate that I still have her. She was living with me until we sold our house so she is now in a nursing home. That's all my news for now. Call or write if you have any news. Have a great holiday, Take Care - *Polly*

~1968~

Brenda Leighton

451 Walnut St., Manchester, NH 03104
(603) 540-9490

Brendaleighton1@gmail.com

~1969~

Linda Page Wickens

Mt. Olive Shores North, 346 Travelers Drive,
Polk City, FL 33868

(863) 272-8990 • Linwickens@gmail.com

Hello classmates, *The Alumnus* will be out twice a year, probably every Fall and Spring.

Three classmates that couldn't attend our September reunion sent in some news.

Condolences to **Dave Cousins** and **Diane Cousins Smith** on the recent passing of their father. Condolences were sent to our Classmate **Sandra Powers Williams** on October 13, 2019 for the death of her husband, Richard Williams.

Sandy Powers Williams has three children – Karen, Sandra, and Jerry, plus a step-daughter Kim. They've given her a total of 5 grandsons, and 2 granddaughters. A retired nurse, she and husband Richard (Dick) Williams reside in Andover, NH. Sandy announced that Dick is under hospice care. Blessings to all.

Twins! Proud grandparents **Bill 1969** and **Marsha Orcutt Lasher 1970** have announced that twins – Olivia Paige and McKenna May were born just before our reunion. Hence, the proud grandparents stayed back in California with the family to help welcome them to the family. Bill and Marsha are building a new home in Arizona away from the crowds of California. Congratulations to the Lasher family.

Days before the reunion, **Marcia Miller Peterson** emailed to say she could not attend the reunion since she was having heart problems again that needed "cleaning" out. During the process they found an embolism that stopped her heart, but she's fine now and has moved in with her son back in Colorado. Her new address is: 3600 Boardwalk, Evans CO. 80620. Marcia was well enough to attend the annual Florida Alumni Reunion in Orlando. Also attending from the class were **Lauren Conway Carr**, **Dusty Whitney Trombley**, **Leo Ouelette**, **Kevin Landry** and his sister Jeanne, myself plus and my husband. Next year the Florida reunion is set for FEBRUARY date.

I tried to get to all the tables to say hello, so here's the small Newsbits I got — in no particular order. I don't have the class list of last names or addresses so abide by my omissions on many full name. **Beverly Bennett Robie** has moved, her new address is 4 Reed Road, Chester, NH 03036 (603-582-2331. Babrobie@hotmail.com).

Kathy Fitzgerald Turner and husband Ron were very happy to be able to help the reunion, and "so happy to see everyone attend." They have 2 children, and 3 grandchildren and live in Hampstead, NH.

Jon Zirpolo still lives in Derry and was so happy to be there to take the campus tour and be able to attend the reunion.

Gary ButterfieldARY is married and living in the area with his wife Hazel. They have one child.

Dave Goodwin and wife Cheryl live in Woodsville, NH and have 4 children and 7 grandchildren.

Bon Genesse and wife Patty have one child and 2 grandchildren. They live 6 months in New Hampshire and 6

months in Florida.

Kevin Landry had several serious heart surgery episodes the past few years. He looked great and has a very positive spirit – attitude in life. He was very happy to be feeling great to attend. He has a son and daughter (Kevin was the official that did his daughter's wedding on the "PA Senior Stairs" – a first for the Academy they said. He has a granddaughter that loves his beard, so he braided his beard for her. He adores that child! Kevin lives in New Hampshire and Florida where he's seen walking the beach collecting sharks teeth where he has collected thousands.

Brenda Bolster Smith and husband Dana still live in the area and we are glad we were wearing our class photo name tags. Yes, the tags were very helpful!

Mary Curtin Hannon and husband Phil live in Plaistow, NH. They have several children and grandchildren and are involved with the Salvation Army with 2 of their daughters. I really enjoy reading their prayers and positive remarks on Facebook.

Julie Kelleher and husband Dave live nearby and enjoyed attending their first reunion. I believe they have a daughter and grandchild.

Bon Gallien is married to Cala, they have children/grandchildren and live in Chester, NH where he has a septic business. His email is snoopy4@gsin.net

Diane Noel Leone and husband Francis happily attended. They have 4 children and about to have 2 grandchildren. They live in Raymond. I enjoy Diane's family photos on Facebook.

Dusty Whitney Trombley has 2 children, 6 grandchildren, and lives in Maine. It was her birthday the next day.

Dave Adams and wife Cindy live on Island Pond, have 3 children and 5 grandchildren. Email: daveadams82451@gmail.com

Ken Clement and wife Marie attended and live in Chester, NH. They have 2 children and 6 grandchildren.

Judi Chase Kilham and partner **Mike Clayton '69** reside in Pittsburg, NH and helped in planning the reunion- Judi usually has been on most of my reunion committees! Great to have them nearby.

Eileen Martel Spink and husband Ray live near us in Pittsburg, NH where we see them during the summer hiking and ATV'ing. They stop by for social hour or barbecues where we talk away the memories. They also reside in Massachusetts and have children and grandchildren.

Patty French LaPierre and husband "Bucky" live in Derry near their children & grand-children. They both looked wonderful after some serious health problems that are over. "Life is happy, thriving and perfect". So happy to see you!

Talked briefly with **Norm Giroux** and his wife Laurel. They left early so did not get any more info. So glad you could attend!

Jim Fenton and his Pinkerton Academy wife **Lee Miller Fenton** it was great seeing them at the reunion.

I did not get to talk to others. The hours seemed to fly by. Another thank you for **Ray McGarty**, **Norm McGarty** and crew for the lovely bouquet. I looked like a celebrity walking in to the hotel that evening.

I still have a smile on my face from attending our 50th reunion. Personally, I didn't have to plan or pay for the reunion, so I was very happy. The Superlative team of Ray and Norm McGarty stepped up and took over the reunion task. Fun, huh guys? Never an easy task, but they did a "Superlative" job with the wonderful reunion team of **Beverly Bennett Robbie**, **Kathy Fitzgerald Turner**, **Judi Chase Kilham**, **Diana Ralston Gravel**, **Mike Clayton**, and **Kevin Landry**. Norm, when you move soon, make sure we have your new address...

Continued on page 25.

A LETTER *from the* HEADMASTER

This fall we welcomed the class of 2023 to campus, and they joined the ranks of fellow Astros heading to their first day of high school. Remember your first day of high school? Maybe it was your first time on campus or your 100th. Generations of families have grown up on campus, while others are the first to attend PA. Whichever applied to you, the first day of a new school year is both exciting and scary for many.

Fall is one of the best times of the year on campus; there is new life that comes with the start of the school year. Many traditions from years gone by are still part of the student experiences today. The Senior Corn Roast this year had spotty showers off and on, but despite the weather, it was a fun evening for students and staff as it has been for years. Our athletic teams competed with Londonderry again this fall for the Mack Plaque, and we are proud that the plaque will reside at PA for yet another year. And as they have for years, the senior class welcomed the class of 2023 with the Freshman Reception, another night that was enjoyed by all.

An important improvement to the campus opened up this fall: the access driveway on the eastern side of campus to Tsienneto Road. This driveway creates a secondary egress on that side of campus and was done for safety and security reasons. It has also helped with students arriving in the morning to the student lots as well as leaving at the end of the day. The construction of this driveway was a goal of the Board of Trustees for many years and through the acquisition of land a year ago, it was able to finally be realized.

Last spring, we announced that we were embarking on a capital campaign: **Open Spaces Opening Minds**. The campaign is centered around turfing two fields, Memorial Field and the multipurpose field. Boys/Girls Soccer, Boys/Girls Lacrosse, Softball, Field Hockey, and Football will benefit from playing on these fields. Memorial field is completed, and if you have not had a chance to see it, I hope that you can get back to campus to watch a game on it. The multipurpose field is underway, and we hope to have a final push in the campaign to get it all completed for play in the spring. The athletic fields have been the most visible piece of the campaign, but the academic side is just as important. Supporting our clubs and activities as well as enhancing the education that takes place is critical to reaching the margin of excellence that makes PA great. I hope you will continue to support the Academy in any and every way you can. We really appreciate your support.

Over the years, the campus has changed, grown, and adapted to meet the needs of our students, faculty, and staff. While the look of the campus may have changed, the tenets of courtesy, respect, and responsibility have not. Each day we strive to educate the next generation of Astros and help them to continue on their path to be the best that they can be. 🏫

Respectfully,



Dr. Timothy J. Powers
Headmaster
Pinkerton Academy



Out and about on campus, Dr. Powers joined a video production assignment.

FINDING COMMON GROUND IN SOCIOLOGY CLASSES

CONVERSATIONS BETWEEN STUDENTS AND ADMINISTRATION

BY KATHRYN ANDERSON '20

Breaking down the barrier between students and administration, faculty members discussed discrimination and prejudice with students in Mrs. Katie (Van Nostrand '06) Littlefield's Sociology II class. With a curriculum designed to force students to ask questions and evaluate perspectives, sociology students took a look at the other side of a school system while engaging in conversations about safety and education with Headmaster Dr. Timothy Powers, Dean of Students and Support Services Susanne Tartarilla, Dean of Faculty Jennifer Resmini, Associate Dean of Students Amy (Joyce '96) Bernard, Social Studies Department Head Steven Gaudreau, and School Resource Officer Jeff Dawe ('05).

Opening up the discussion and having honest conversations in a casual setting allowed students to find common ground and investigate the opposing side more clearly. The division between students and administration can be a hard one to overcome. With a difference of opinions and a struggle to find common ground, conversations between the two positions can be the binding bridge of a gap in the school system. Dialogue between students and administration helps to form a better understanding of the actions of each side.

"One of my biggest goals from this activity was for students to have a dialogue with people on campus who they may never actually talk to. Not only was my hope that bridges would be formed between students and administrators/teachers/SRO, but that both students and administrators/teachers/SRO would be able to see the standpoint of the other," said Littlefield. "Breaking down barriers and seeing different events from different perspectives is one of the important parts of my class."

Having these important conversations inside classrooms is also vital to the school's community as administration can learn and hear the perspectives of students. Being able to improve the quality of education and safety with the input of students' opinions allows for an improved scholastic environment.

"[The lesson provides] a voice from the different students that are a part of this community. Sociology is an elective and it's not leveled, so there is a great mix of students from many different backgrounds in class," stated Littlefield. "Reminding administration of student voice and their concerns is something that I think all

adults on this campus (educators, teachers, admin, staff, etc.) need to be reminded of. We're here for the students, and we need to know what is going on with the students to better serve the students."



Mrs. (Van Nostrand '06) Littlefield monitors the class discussions from a distance.



Associate Dean Mrs. (Joyce '96) Bernard and School Resource Officer Jeff Dawe ('05) joined with students for discussions in Mrs. Littlefield's Sociology II class.



Faculty and staff pulled out their most “vintage” PA garb for Spirit Week!



THROWBACK THURSDAY

Terrific to meet our new Alumni person, [Meagan Sojka](#) at Pinkerton Academy. Any changes, let her know.

I have talked with David Brown – Dean of Institutional Advancement numerous times on the phone and he also attended to say hello. Great to see everyone, let's do it again soon. Many were saying we should get together once a year even if it is at a local restaurant just for a couple hours where each is responsible for their own tab/food. Interested, let me know over the winter so people see it in the Spring issue. Don't want to leave anyone out of the list! For those that couldn't attend— you were missed.



Class of 1969 Reunion celebrating their 50th reunion.

–1971–

[Cynthia Thibeault Bedard](#)
34 Metacomet Lake Drive
Sandown, NH 03873
cabedard52@comcast.net

–1973–

[Carolyn DeLorey Lighthall](#)
227 Raymond Rd., Chester, NH 03036
(603) 887-1835 • jclight@mygsc.com
[Vickie Buckley Chase](#)
36 Barnwell Drive, Beaufort, SC 29907
vchase7200@aol.com • (603) 219-6672

–1974–

[Trixie Pingree LeFebvre](#)
58 Auburn Rd., Londonderry, NH 03053 • TTrixix2@aol.com
[Wynette Penney DeGroot](#)
27 Checkerberry Lane, Gilford, NH 03249
(603) 490-2539 • Wynette.degroot@gmail.com

[Dayna Mastromarino LoPresti](#) passed away on Friday, June 21, 2019. Dayna moved to Las Vegas in 1987 where she was married to Artilio and had two children. With a passion for art, Dayna spent her career designing for Mikohn Gaming and NV Energy.

ATTENTION: Pinkerton Players Alumni!
A 40th Anniversary celebration will take place on **Saturday, March 21** before the *Children of Eden* performance in the Senior Cafeteria. For more information email mcahoon@pinkertonacademy.org.



Class of 1974 reunion celebrating their 45th reunion.

–1975–

[Barbara Young Ouellette](#)
44605 Hampshire Dr.,
Flower Mound, TX 75028
[Jean Langone Jacques](#)
5 West Everett St., Derry, NH 03038
(603) 434-4845

–1976–

[Robin Anderson Simard](#)
simard.robin@comcast.net
(603) 606-2731

[Vicki Rollo-Clifton](#) said that this news is a little late, but I became a Great-Grandmother October 23, 2018 to a beautiful little girl, Maria Lyne Watson. She sure brightens our lives with her big eyes and contagious smile. We are truly blessed. It is great to hear about my classmates and what is happening in their lives. I am hoping to travel back to New Hampshire in the coming year to see how much it has changed, which is probably quite a bit especially since it was 1996 (our 20th reunion since I have been back). I love living in Florida, but sometimes I still miss my home state. Take care, Vicki

[Pat Christianson](#) stated that I have some wonderful news to report. Two of my three kids were married this summer! My son Alex and his wife Ava were married on the island of Milos, Greece, in a magical windswept ceremony in June. My sisters Alice (1981) and Marge (PA 1983) and their husbands were able to be there as well as other family and friends from all over. On September 1st, my daughter Elizabeth married Thomas in Holy Trinity Greek Orthodox Church in Portland, Maine. All my siblings were there ([Steve](#), '71, [Bill](#), '73, [Nancy](#), '79, and [Amy](#), '81 plus Alice and Marge) their spouses (including [Sue Andrews](#), '73) and loads of cousins, aunts, and uncles, and my mother (and her other grandmother) and friends. Dean and I are still in Montana where he is teaching history full-time at Carroll College. I am teaching sociology part-time and taking classes towards an MPA online to keep me out of trouble. We spend summers in Buffalo (come visit when you see Niagara Falls!) and rent out our house there through Airbnb the rest of the year. I usually make it back to New Hampshire a couple of times a year. Snow has started falling in the higher elevations here, but so far it's a pretty fall. Let me know if you come out this way and I'll show you around. *Pat*

[Ellen Schmidt Shaw](#) said thank you so much for gathering news from the class of 1976 and keeping us in touch! *The Alumnus* is meaningful for those of us so distant from our old PA friends...well, not OLD friends—instead, longstanding friends, friends from a by-gone era! August was a dazzling month for Dave and I! We got to spend a week in Portland, OR cuddling a newborn grandbaby, Lucy, then blasted north to Anchorage to do the same with newborn grandson, Clark. The ache of leaving our kids and their little ones behind is both painful and sweet—and

we look forward to Thanksgiving when we get to be together with all of them. This era of grand parenting is a new joy. Cheers,
Ellen Schmidt Shaw

Your correspondent indicated that *The Alumnus* comes out only twice a year now. So, when the SOS for sharing goes out it is your limited opportunity to put your story in print for others.

As for me, this year is a whirlwind of activity, working hard still and dancing as often as I can between ballroom lessons, extra hustle lessons, or West Coast Swing, there is always some form of exercise available. Visited my daughter in Asheville and filled a "bucket list" item of feeding raptors on the Biltmore Estate. Visited my son in the Chicago area in January then again in July at his new place, Minneapolis. Routine travel to Ohio for meetings and Florida to visit friends. Went to Pennsylvania for a hustle dance convention in June. I got trips in on the Harley trike and enjoying the fall weather for more riding. I am always looking for a new opportunity to do something unusual or a new adventure. Enjoy your best life!!! *Robin Anderson Simard*

Wanda Staples Hello Classmates! My partner, Carl, and I went on a humanitarian voyage to Thailand and Cambodia last year. We were a team of 14 from all over the world who came together to build community toilets, care for and feed elephants and build a house for a family of 6 who were destitute and homeless. We realized how fortunate we are in North America when we lived among such impoverished people in remote Cambodian villages. We decided we wanted to spend our 'glory years' giving back, so we created a charity organization called *Mission Better Life*. September 14th we held our first fund-raiser called "*Cambodia Kids Rock*." It was a benefit concert with 14 bands. It was lots of work, but so worth the effort! We raised over \$6,000 which will go directly to our partners in Cambodia to support education, clean water, and sanitation. Our next mission will be to identify another remote region in the world that can benefit from our help. Have you ever wanted to be part of something that feels really amazing? We are looking for like-minded people throughout the world who would enjoy being part of our team. Our goal is to 'change the world one life at a time.' If anyone has any interest in helping us pay it forward, you can reach out to us at missionbetterlife2019@gmail.com.

—1977—

Colleen Coyle Duquette

63 Elm St., Winchester, NH 03470 • (603) 209-4629

Mike Mulrennan

412 Elk Run, Hudson, NH 03051 • mjmulrennan@aol.com

Brenda Smillie Grant

(603) 219-6033 • mom911ny@yahoo.com

—1978—

Susan Pugh

102 Hillside Ave., Derry, NH 03038 • (603) 432-3937

susanapugh@peoplepc.com

Larry Edwards—Hi, this is my first time to put anything in so here is what I've been up to since graduating. While I was a senior, I signed up for NH Air National Guard. Went to boot camp and spent six weeks in Technology School to become a Firefighter and graduated top 10% in my class. Though I did not pursue it late in life I still think it is one of the best jobs there is. I enjoyed my time doing it in the service. In 1985 I married my beautiful wife Debbie, also a 1978 graduate from Trinity High School. This October 26th will be our 34th anniversary, though we've had some tough times thrown at us we stuck together and made it through them. She's the love of my life and best friend.

Michael Hilliard—We have returned back to the United States after spending 16 years in Japan working in the DoD education

system. My wife is now a retired school teacher enjoying our 3 grandchildren at our home in Nampa, Idaho. I am working for a pest control company. Looking to visit New Hampshire in August of 2020 for a family reunion.

Debby Case Donovan stated that I am in Independent Stampin Up Demonstrator, my friend Sara and my daughter Megan own Bee Happy Cards and Crafts. We sell our cards at Revived Furniture in Derry, NH. We also do 3 fall craft fairs, Pinkerton, Windham High School and Londonderry High School. We teach classes in my home several times a month in card making, scrapbooking and multimedia collage frames. Also we now offer online classes. I am on a design team for NEstampNkers, and my daughter and I will be attending the On Stage convention in November in Hartford, CT. I attended On Stage in Atlantic City this past April. We also volunteer for Honor Flight New England and had our first annual fundraiser making 150 card and raising \$542.00 in raffle items for our WWII and Korean War veterans, who attend the Honor Flights free of charge to Washington, DC for a day of remembrance and gratitude, during their return home they are given a packer of letters and cards like the mail call they had during the war. We wanted to make sure every veteran received a card of thanks. Our website is: www.beehappycardsandcrafts.com

Jane Grimm said youngest graduated from Pinkerton in June. My alumni family, Lily is class of 2015, Jackson is class of 2012 and Travis is class of 2019.

Tina Potter After a year of my life partner fighting Leukemia and having a stem cell transplant we have been given the go ahead to winter in Florida. It's a bumpy road but we are ready.

Margaret "Peg" S. Croissant, 59, resident of Mont Vernon, NH died on August 1, 2019 at the Community Hospice House, Merrimack, NH surrounded by her family. She was born in Munich, Germany on July 15, 1960, a daughter of the late James L. and Beatrice (Kennedy) Seery. She was raised and educated in Derry, NH, and graduated from Pinkerton Academy and Plymouth State. Peg made her home in the Derry and Milford area for the past 48 years and previously in Smithtown, Long Island, NY. Princess Margaret Mary gained the victory and entered the Presence of her God and Father the King of all creation on August 1, 2019. Peg knew she had received a gift of healing from God through Therapeutic Massage Therapy. A 30-year member of the AMTA (American Massage Therapy Association). With her warm-hearted gentle spirit and vast anatomical wisdom and if required very firm deep tissue therapy, she brought healing to her clients often suffering from sports/work related injuries. Peg loved sports; primarily baseball and Olympic sports, but viewed it from her professional therapy mindset. She wanted to see great competition from athletes performing at their peak performance and abilities and did her utmost to assist them when needed. To revitalize herself, Peg thoroughly enjoyed gardening, cooking, singing, relaxing in the Lake or by the Ocean, walking in a field of wildflowers and nature in general. All of these she sought to integrate into her life with a desire for peaceful excellence. All of this would bring out that radiant smile and joyful laughter even until her final day! With all of her being, Peg loved and served her Lord Jesus, husband, family, neighbors and community. Serving and supporting not only her church Crossway Christian Church, but many other churches across the Souhegan Valley, New Hampshire and around the world. She was regularly committed to Milford's Family Fun day and SHARE Suppers to name just a couple. Family members include her husband of 20 years, Timothy Croissant of Mont Vernon, NH; three step children, Benjamin Croissant and his wife April, Virginia Croissant and Danielle Croissant; five siblings, James Seery, Joanne Seery, Mary Talbot, Michael Seery, Christi Dionis, Angela Guertin, Matthew Serry, Rebecca Whine and Alex Karamolengos and five grandchildren.

Condolences go out *Tom Otzelberger* in the passing of his mother. Condolences go out to *John Mastromarino* on the passing of his mother and his sister Dayna. *Kathy Leclair* recently has

surgery on her heart. She is doing great. She already riding her bike 15 miles.

Sharon Demers just recently had hip surgery and she is going wonderful. **Debra Gendreau Bouthiette** and her husband Rick recent became grandparents to beautiful Gwendolyn. Condolences go out to in the passing of her older brother Michael.

Please check out **Stan Olshefski** music Senoko. His music is just wonderful.

Have a nice holiday season, *Sue*



November 2018 (L to R) *Jeanne Hurst Tellier, John Kelliher, Jeanette Indoccio, Becky Gurley Bettez, Andy Bettez and Kathy Hartman Garofalo*

~1979~

Caroline Cowette
cowettecaroline1@gmail.com • (617) 308-0590
Karen LaGree Kelly
Kelly.md@verizon.net

~1980~

Ellen Gadoury Dijkman Dulkes
29 Laplante Rd., Lebanon, NH 03766
Ellen.J.Dijkman.Dulkes@hitchcock.org
Janet Werner Cathcart
76 Stony Brook Road, Westford, MA 01886 • (978) 496-1480

~1981~

Suzanne Otzelberger
202 Phillips Lane, Greer, SC 29650
(864) 906-2455 • otzieinsc@aol.com

~1982~

Roger Slaalien
941-350-2007 • roger@rogerdare.com

Hello Class of 1982! I recently heard from **Diane Gadoury** (now MacArthur). She reminded me of some of our “escapades” as spelling partners and explained why we are both such terrible spellers to this day. Thank God for modern day spellcheck Diane! She also mentioned **Geoff Morrisett** (1982), **Chris Lord** (1982), **Peter Lord** (1981) and **Kelly Lord** (1980) and all the fun times we had together in Hampstead and at Pinkerton. I believe Diane still lives in Hampstead, Chris and Peter in Maine and Kelly in South Carolina. Thank you for writing in Diane and explaining nobody wants to brag about their “wonderful” life. I think we have all lived long enough to know now that life is not always so wonderful but truly can be absolutely amazing at times.

I remember my father, Roger Slaalien Sr, telling me how much he dreaded going to his 10 year high school reunion. There were the braggers and competitors while everyone was trying to get ahead or “keep up with the Jones’.” But he also recalled in later years how that all went away and after nearly 40 years nobody really was jealous or bragging anymore. We all just wished each other well and cherished the old memories. That’s what this page is about Class of 1982. We miss you, care about you and would like you to write in as we wonder where you are in life now.

~1983~

Jim Corbin
jim@j5corbin.com
Cyndy Cumings Hastings
(603) 965-4125 • hastingsnh@comcast.net
Deborah Foucher Stuke • deborahstuke@gmail.com
Patty Salter Brault • pandpbrault@comcast.net

Hi Class of 83!

I hope life is going well with all of you! Below is an update on efforts underway to install a memorial bench to honor **Jim Mulrennan** for his dedication and support of the Pinkerton community as a student, Trustee and parent of PA graduates/ student.

Jim Mulrennan Memorial Bench – Efforts are underway to honor Jim’s life and his dedication to the Pinkerton Academy community. An engraved granite memorial bench will be installed at Pinkerton’s new turf football field. Those who wish to contribute may do so by check/cash. Please make checks payable to Pinkerton Academy. On the memo line include “James Mulrennan Memorial.”

Please mail to: Meagan Sojka-Alumni, Pinkerton Academy
5 Pinkerton St., Derry, NH 03038

Mimi (Schwartz) Martineau has organized an annual gathering to honor **Jim** on Friday, November 29, 2019 at 7pm upstairs at Halligan Tavern in Derry. All classmates and friends are invited.



Class of 1979 at their 40th class reunion held at Fratello’s in Manchester, NH

I have some class news from **Jay Crawford** and his wife **Deb Morris Crawford (1982)**. After retiring from the Fire Department in Oregon Jay and his wife moved to Idaho and are raising cattle on their 150 acre ranch. Jay still works as a flight medic on a helicopter 6 days/mos. The ranch keep them busy but they also enjoy fishing in Alaska and vacationing with friends in Cabo. He and Deb recently celebrated their 32nd anniversary and have a couple of grand-kids which he says are his greatest joy. Jay and Deb come back to New Hampshire every few years to visit with Deb's family and he hunts in the White Mountains with friends who he use to hunt with in the 80s. Jay's brother **Jody Crawford (1984)**, lives in Bitterroot Valley of Montana, and he sees him often as Jay hunts and guides in the Selway Wilderness near where Jody lives. Jody works on forest fires as an EMT and works logging and construction for himself. Jay would enjoy hearing what some of the rest of class of 1983 is up to. He'd especially like to hear from other members of the Pinkerton Woodsman team. Thank you Jay for your email!

As for me life is going well! Me and my husband **Chris Hastings (1982)** just moved into a newly built home that looks like an old farmhouse on rolling farm land set way up high on a hill in Hudson. One of our sons is a Marine, one an engineer and one is in his senior year at URI. Although becoming an empty-nester is taking some getting used to I'm find-ing life in our 50s is very good! **Cyndy**

Class of 1983 is fortunate to have many who have stepped up through the years to organize reunions, events and take the baton in helping us stay connected in all sorts of ways. We all thank you!

~1984~

Jill Areson-Perkins
jaresonperkins@yahoo.com
Susan Lagree
 (617) 834-4634 • suelag@comcast.net
Sean Barnett
seanbarnett2010@gmail.com



Class of 1984 celebrates their 35th Reunion

~1985~

Mary McPhillips Menendez
Michelle Chabot Burkhardt
 (717) 526-2088 • mitchburk@comcast.net

~1986~

Maureen Donovan
mendonovan68@yahoo.com
Anne Massa Parker
annemassa@gmail.com

~1987~

Eric Dupere
 65 Riggs St., Portland, ME 04102
 (207) 774-2675 • eric@ipaymentfla.com
Leslie Marcy Pendergast
 1165 273rd Ave NE, Isanti, MN 55040
 (763) 442-8986 • LesDanMN@aol.com

Hello Fellow Classmates,
 Though it has been awhile since the last publication for the Alumnus neither Leslie not I have received any news lately so unfortunately we do not have any updates for you. Please send us any information you would like to share with the class. Thank you, *Eric & Lesli*

~1988~

Julie Saulnier Gill
 (413) 458-3770 • BrJuGill@hotmail.com
Scott Hampoian
 (978) 664-8492 • shampoia@teksystems.com

~1989~

Richard Russell • richardrussellnj@verizon.net
Stephen P. Wood • stephen.wood27@gmail.com

~1990~

Jennifer Watson Hamilton
jenwatsonrules@hotmail.com
Alison Howell Stallings
astallings44@comcast.net and
Tayna Joyce Allen

Hello everyone! So, it is crazy to think that our 30th high school reunion is right around the corner. Plans are underway so stay tuned for upcoming information. We have a Facebook page for the class of 1990. If you have not joined it, please do. I did hear from our classmate, **Gary Bergeron**. He lives in Yarmouth, Maine with his wife and two kids. They are a very active family! Gary works for the Breakwater Group at Morgan Stanley as a Financial Advisor and Portfolio Management Director in the Firm's Wealth management office in Portland. Last February, he was named to *Forbes Magazine's* list of *America's Best-in-State Wealth Advisors* as one of Maine's top advisors. He was also promoted to Senior Vice President. Congratulations on both your promotion and Forbes recognition!

I would love to hear from more of you, feel free to pass along any personal or professional information. Hope to see you all at our reunion next year! *Alison*

~1991~

Todd Crowley
 (603) 548-5712 • t.crowley@alumni.unh.edu
Julie Ramsden Romano
 (207) 338-4591 • 4juliemail@gmail.com

~1992~

Liz Morris Tewksbury • liztewks@hotmail.com
Corey Collins • coreyjcollins@me.com

~1993~

Lesley Pincince
 (203) 814-4055 • pince7@yahoo.com
Bonnie Shaw Eckerman • bjeckerman@gsinet.net

~1994~

Katie Kretschmer
Heather Rowell Abernathy • hmrabernathy@comcast.net



Members of the Class of 1999 celebrate their 20th Reunion.

~1995~

Laura Freeman Turenne • lauraturenne@yahoo.com
Michelle Loveys-Dozier • loveysdozier@gmail.com

~1996~

Janel D'Agata-Lynch • jkdagata@yahoo.com
Adrienne Kiehle Deorocki • amkiehle@yahoo.com
Jerry Pisani • jerrypisani@gmail.com

~1997~

Matt Newcomb • matthew_newcomb@hotmail.com
Michelle Battaglia Deyermond • deyermonds@comcast.net
Dina Freedman
Abby Willets • willets@alum.mit.edu

~1998~

Peter Blais
Allison Nichols • allisonnichols22@yahoo.com
Julie Sarbanis Roy • jroy812@yahoo.com

~1999~

Josef Hodgkins
(603) 401-8454 • Josef.hodgkins@snhu.edu
James Harrington • jfharrington@gmail.com
Meredith Bulkley Lewis
Meredith@alum.syracuse.edu • meredithb_99@hotmail.com
Jessica Mailloux
53 Windsor Dr. • Auburn, NH 03032

~2000~

Tiffany Gosselin Hammer
tiffanyahammer@gmail.com
Holly Simmons Spellman
(603) 216-5165 • Holls1203@comcast.net

~2001~

Kristin Brown
(603) 434-2939 • kabmab@aol.com
Julie Mockapetris Thomas
Jules4583@gmail.com
Jenn Saucier Parthum
jenniferjsaucier@yahoo.com

~2002~

Anna Kukowski • kukowski.a@gmail.com
Joseph Parodi • parodi.joseph@gmail.com
Moriah Arrato Gavrish • moriah.gavrish@hotmail.com

~2003~

Anastasia Czerw
(603) 434-7221 • anastasia.czerw@gmail.com
Tim Buck • tfbuck@gmail.com

~2004~

Rebecca Auger • (603) 490-6269
rebecca.auger@gmail.com
Adam Quinn • (603) 329-7488
adam.michael.quinn@gmail.com
Jamie Ruhmshottel • jamie.ruhmshottel@gmail.com

2004 PA classmate, Army Major Nick Cimler has graduated from the U.S. NAVAL WAR COLLEGE with a Master of Arts in Defense and Strategic Studies.



Members of the Class of 2004 celebrate their 15th Reunion.

~2005~

Dan O'Brien
obrien.daniel.joseph@gmail.com
Sarah Coghlan
(603) 434-5960 • sarahcog@gmail.com
Michael Rezaee
michael.ericson.rezaee@gmail.com
Ryan Chabot
(603) 483-8804 • chabotry@bc.edu

~2006~

Katie Van Nostrand • katievan25@gmail.com
Liz Beaudoin • beaudoin.gouin@gmail.com
Matt Pingree



Seniors pose for a selfie at this year's corn roast. Photo by J. Manrique

Jonathan Rigg is happily living in Colombia for the past year and has recently opened a restaurant there. He says although he misses the United States and everyone in it, Columbia has been an amazing experience with welcoming people and amazing food.

—2007—

Brittany Tartarilla • btartarilla@gmail.com
 Robert Auger
 (603) 329-5132 • rauger2@gmail.com
 Devan Quinn
devanquinn@gmail.com

—2008—

Shelagh Mollohan • shelaghmollohan@gmail.com
 Lauren Freeman • lau.elizabeth.freeman@gmail.com
 Alison Reichard • alison.reichard@gmail.com
 Sarah Titus • stitus4@gmail.com

—2009—

Chris Doyle
 (603) 887-1406 • chris.doyle1128@gmail.com
 Jacquelyn Stolos
 (603) 329-4636
 Victoria Elliott
 (603) 329-4636 • astrosfh21@yahoo.com

Dan Pelletier mentioned that since graduating UNH with a BA in Theatre. I have worked all of New England with a number of different theatrical organizations, including the Palace Theatre and the Ogunquit Playhouse. In 2014, I founded my own theatre company that runs in southern New Hampshire, Cue Zero Theatre Company. We are just wrapping up our first multi-show season and are planning season 2, which include two plays, a musical, and an attempt at breaking the world record for longest continuous theatre performance. Oh I forgot an important detail! We won Best of New Hampshire 2019 - Best "New" Theatre. The majority of our performances in 2019/2020 will be taking place at the Derry Opera House and I would love to reconnect with my fellow alumni, both in the arts, and those who wish to support the arts. More info can be found at cztheatre.com

—2010—

Yera Ha • yeraha2010@gmail.com
 Megan Leduc
 (603) 548-4551 • Megan.Leduc2@gmail.com
 Ben Sands
 (603) 370-9966

Stephanie Brule's mother Davida Brule '82 wrote in that both my husband and I are proud to announce that our daughter graduated from UNECOM in May 2019, with her Medical degree. She is currently working as a Resident Pediatrician at UConn Children's Hospital in Hartford, Connecticut.

—2011—

Erik Shaw • shawe0616@gmail.com
 Kelsy Porter • kport72@gmail.com

—2012—

Colleen Dooley • cidooley@comcast.net
 Melanie Konstant • 94dancer@gmail.com

—2013—

Maggie Doherty • maggiedohertynh@gmail.com
 Krysta Lewis • kal529@comcast.net

—2014—

Natalie Fabrizio • fabrizion17@gmail.com
 Kinsey Manchester • kinseymanch@gmail.com

Thank you to everyone who came to our 5 year reunion at Bonfire Country Bar this past summer. It was great to catch up with everyone and reminisce on memories. We hope to see you all and more at the 10 year reunion! Congratulations to those of you who are engaged, recently married, or expecting. Please feel free to reach out with any updates. We would love to hear from you. *Natalie Fabrizio*



The 2014 reunion was "picture perfect."

UPCOMING EVENTS

2020 FLORIDA REUNION

Enjoy catching up with other alumni!

February 23, 2020

9:00am-2:00pm

Dr. Phillips Community Park,
Orlando, FL

Coffee and donuts will be provided

Bring your own picnic lunch

Save the Dates:

**Pinkerton Academy Alumni in
Portland, Maine!**

The Press Hotel 5-7 pm on
Wednesday, September 9, 2020.

Pinkerton Academy Alumni in NYC!

September 2020

More details to follow!



The Alumni Relations Office recently hosted two regional Alumni events – one in Portland, Maine and one in New York, New York (photo at left). The events brought together alumni from across the decades who came to see old friends, make new friends, network, and hear about what's happening back on Pinkerton's campus.

If you would like have an event in your area, please contact Meagan Sojka at msojka@pinkertonacademy.org or 603.437.5200 ext 1101.

Pictured above is the group from the NYC event on Thursday, Sept 12.



PEP RALLY!



Photos by T. Cain

#TogetherWeArePinkerton -31

BOND Brothers Inc., hosted three Pinkerton Academy CTE classes on major construction sites in Boston

This fall, Stephanie Crepeau, Pinkerton Academy class of 2013 and a field engineer with BOND Brothers Inc., hosted three Pinkerton Academy CTE classes on major construction sites in Boston. The level 2 students from Building Construction, Electrical Technology, and Welding classes were able to tour and learn about the scope and sequence of two of the largest district energy plants on the east coast.

The instructors and students learned about the processes, the various career fields that worked on these jobs, and the possible employment. Students were able to hear from carpenters, pipe fitters, boilermakers, millwrights, and electricians about what their jobs entail and the skills necessary for entry level tradespeople.

Crepeau and fellow Pinkerton '13 grad Steve Martinelli, a Project Engineer with Dimeo Construction, set up these types of experiences because they know firsthand the value they offer students deciding on career paths. The two hosted carpentry and welding students at 2 sites in the spring of 2019.

"We put these site visits together because we both recognized how impactful and inspiring they were for us as college students. They solidified our decision to be construction managers," said Crepeau. "We thought if they were so impactful then, what would they have done for us in high school? Could this influence a young student who doesn't know if they want to work in the trades yet? Could it change their perception of what kind of work is out there?"

Crepeau and Martinelli met freshman year in their Intro to Woodworking class at Pinkerton. Their time taking classes together in the CTE program provided them with even more than the skills in their trade, and they found themselves ahead of their peers when they attended college. Both attended the Wentworth



Students from CTE classes visited major construction sites in Boston. These private institutional projects will fuel new expansions for the organizations they serve by generating hot water, chilled water, and electricity and then distributing these utilities underground to individual buildings within their campuses.

Institute of Technology (WIT), earning degrees in Construction Management.

"The Construction Management program [at WIT] took what we learned in high school and brought it to another level. We aren't really working physically hands-on anymore, but the skills we learned through Pinkerton has given us the knowledge and—what is very important—it gives us an idea of what working in the trades is like," said Martinelli. "We have a respect for the work and the people doing it."

Crepeau credits Pinkerton's CTE program for a sneak peek into a career that she ended up enjoying and pursuing, but she credits it with helping to shape her character as well.

"I started to hone a work ethic that still drives me today, attention to detail and a respect for hard work. As I've gotten older and progressed through the beginning of my career, I've come to realize that these things are so incredibly important for success in life after high school. You don't have to be defined by what your career occupation is, but you should do that job with the greatest craftsmanship and care," she said.

Crepeau and Martinelli hope to continue to provide these opportunities for site visits to Pinkerton students in the future. It is an opportunity for them to share with others the opportunities that have guided them.

"There is only so much time in high school for students to learn everything, so by visiting the sites we hope they have a much more in-depth understanding that there's more to the world than they thought," Crepeau said. "There's more than one path to take."



Opportunities like these are invaluable to students. If you would like to provide a similar experience for our students, email [Julia Mitchell julmitchell@pinkertonacademy.org](mailto:julmitchell@pinkertonacademy.org).

JAMES BALSER 23 YEARS OF DEDICATION

A familiar face on campus, alumni might remember Mr. James Balsler working the night shift in the field house for fifteen years. Starting at Pinkerton in 1996, he remembers watching some memorable games in that time, and he loves when student-athlete alumni come back to cheer on Pinkerton.

“There have been some great games, some great players over the years,” Balsler said. “It’s always nice to see them come back to campus.”

Balsler eventually switched to the grounds crew for a couple years while also working security part time on nights and weekends. For the last 6 years he has worked as part of the security team during the day.

“Jimmy has been a member of Pinkerton as a custodian, groundskeeper, and now as a member of the security team. With every role that he has taken on, Jimmy has always been one that we can count on. He is eager to help out and also a friendly face for students, employees, or visitors to campus,” said Headmaster Powers.

In his 23 year tenure, Balsler has seen firsthand the many opportunities Pinkerton offers students and the supports it provides to help them succeed. When his daughter entered Pinkerton, she struggled. In her sophomore year she decided she wanted to attend the Ombudsman program.

“I said, ‘I’ll open my mind up,’” Balsler said. “We talked to her

administrator and got her into the program. Eventually she moved over to the HiSET program where she ended up really doing well. They just offer so much for these kids, and I wish they’d just embrace it.”

Balsler’s memories over the years also include interactions with students and some impressive senior pranks.

“I remember a kid who was a magician. He used to do a lot of card tricks between classes and draw quite a crowd,” Balsler said. “Some pranks over the years were distasteful, but the elephant in the pond was memorable -- that was the biggest thing. Them taking the time to go up there and get it and bring it here overnight. That was great.”

More than anything, however, it has been the community at Pinkerton that has made Balsler stay.



“The people—the teachers are great. I enjoy the people that I work with. The atmosphere that is here is very upbeat. I enjoy coming here,” he said. “I didn’t like working nights, and that’s why I tried real hard to get onto the day shift so I could come here during the day and see what goes on here during the day. I’m going to be here until I retire.”



James Balsler

HAPPY REUNION YEAR!

Attention: Classes ending in 0 or 5! Happy reunion year!
If you’re interested in helping plan your class reunion, please email
Meagan Sojka at msojka@pinkertonacademy.org.



PINKERTON ACADEMY

Alumni Office
5 Pinkerton Street
Derry, New Hampshire 03038

PINKERTON ACADEMY

• 1814 •



PINKERTON CAPITAL CAMPAIGN UPDATE



ACADEMICS + ACTIVITIES +
ATHLETICS + ASTROS

OPEN SPACE OPENING MINDS

• 1814 • The Capital Campaign for **Pinkerton Academy**



Our **Open Space, Opening Minds Campaign** is raising \$2,000,000 to support academics and athletics. Thank you to everyone who has contributed so far! Together, we have raised over \$1,300,000, which has helped us complete Memorial Field, and continue work on the multi-purpose field so it will be ready for use in the spring. Gifts to the Campaign also support student clubs and activities by providing an additional source of funds for these groups to draw from during the year.

Want to double your donation? Many companies match donations made to non-profit organizations like Pinkerton. Check with your Human Resources department to see if your company does.

To make your gift to the campaign, visit www.pinkertonacademy.org/campaign